



| | |
|----------------------|---------------------------|
| Model Number: | WX3-AL-TF-182TC-6-B-D-1.5 |
| MFG PN: | 730 |
| List Price: | |

All data shown at HIGH voltage setting

Format: STD 3 Phase

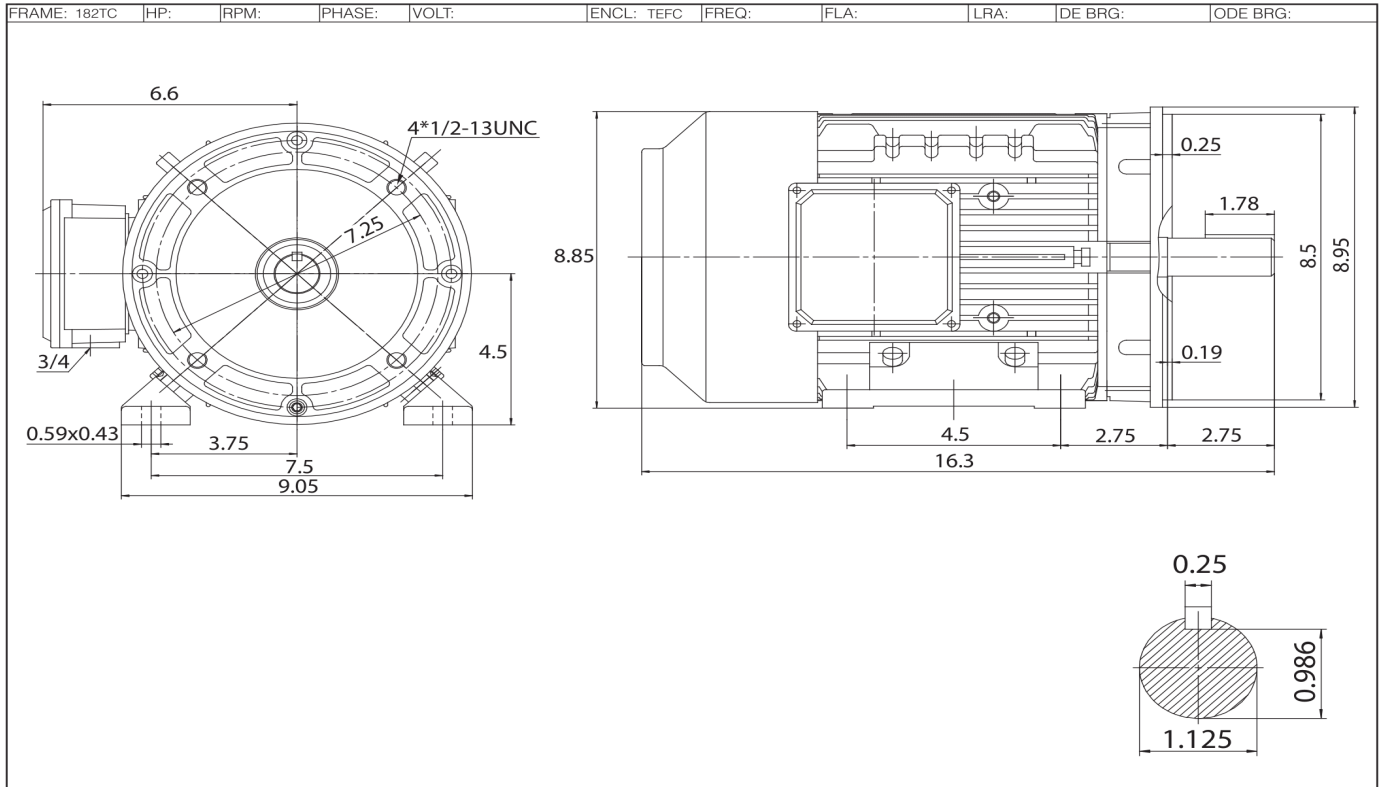
| Electrical Data | | | | General Data | | | |
|-------------------------------|-------------|---------------|---|------------------------------|----------------|--------|--|
| Rated Motor Output Power | 1.5 | HP | | Frame Size | 182TC | | |
| Rated Motor Speed | 1175 | r/min 60Hz | | Enclosure | TEFC | | |
| | 970 | r/min 50Hz | | Mounting | Rigid/C-Flange | | |
| Rated Motor Voltage (3 Phase) | 230/460 | V/60Hz | | NEMA Design | B | | |
| | 190/380 | V/50Hz | | IP Rating | 56 | | |
| Rated Motor Current | 4.64/2.32 | A (In) @ 60Hz | | Insulation Class | F | | |
| | 5.37/2.67 | A (In) @ 50Hz | | Tropicalization | 1 | | |
| FL Current @ 208V | None | A (In) @ 60Hz | | Duty | Cont. / S1 | | |
| Service Factor | 1.25 | @ 60Hz | | Cable Entry | 1-NPT 3/4■ | | |
| | 1.25 | @ 50Hz | | Feet Removable | 1 | | |
| KVA Code | L | 60Hz | | Double Drilled | 0 | | |
| | J | 50Hz | | Frame Material | Cast Aluminum | | |
| Nominal Efficiency | 87.5 | % @ 60Hz | | Shaft Material | 1045 | | |
| | 87.0 | % @ 50Hz | | Coating | RAL | None | |
| Nominal Power Factor | 0.68 | cosθ @ 60Hz | | | | | |
| Full Load Torque Ft-Lb | S | | | Mechanical Data | | | |
| Load Data | Trq Ft-Lb | Trq %FL | Current Amps | Bearing DE Side | 6306ZZ | | |
| Locked Rotor | | | | Bearing NDE Side | 6206ZZ | | |
| Breakdown | 12.63178439 | 192.0 | - | Comp Ring (wavey washer) | None | | |
| Pull Up | 14.81968875 | 322.0 | - | Weight | 39.5 | Lbs | |
| Load Data | RPM | Eff % | Current Amps | Moment of Inertia | None | kg.m3 | |
| 125% of FL | 1734.1 | 86.5 | 2.54 | Site Conditions | | | |
| 75% of FL | 1763.0 | 86.79 | 1.83 | Temp Rise @ Full Load °C | B | @ 60Hz | |
| 50% of FL | 1775.8 | 84.56 | 1.57 | Ambient Temperature °C | 40 | | |
| No Load | 1199.0 | 0 | 1.57 | Altitude Above Sea Level (M) | 1000 | | |
| Brake Torque (N-M) | 100.0 | | Loaded Torque Curves | | None | | |
| Brake Coil Voltage | None | | P1 = Output Power (KW), S = Slip (% of Sync RPM), η = Efficiency (%), cosφ = Power Factor | | | | |

| | |
|--|----------------------|
| CT VFD Range | |
| Haz Loc Rating | |
| Options: | |
| UL File Number | |
| CSA File Number | |
| DOE File Number | |
| CE APPROVAL | |
| Wiring Diagram | NEMA-3-9-YY-Y |
| 3 Phase - YY/Y - 9 Lead | |
| 4,1 Blue / 5,2 White / 6,3 Org / 7 Yl / 8 Blk / 9 RD | |
| Cast Iron- 1,2,3 Top - 4,5,6,7,8,9 Bottom | |
| Aluminum - 4,5,6,8,9 Top - 1,2,3,7 Bottom | |
| CONNECTIONS | |
| | |
| LOW VOLTAGE | HIGH VOLTAGE |

Techtop Industries -2815 Colonnades Court - Peachtree Corners, GA 30071 - Phone: (678) 436-5540

| | | |
|--|----------------------|---------------------------|
| | Model Number: | WX3-AL-TF-182TC-6-B-D-1.5 |
| | MFG PN: | |
| | List Price: | 730 |

Dimensional Drawing (For Reference Only) GR3-AL-TF-182TC-2D



| | | | | | | |
|----------------------|---------------|-----------------|-----|----|------|---------|
| | MODEL NUMBER: | GR3-AL-TF-182TC | REV | BY | DATE | CHANGES |
| | MFG PN: | | 1 | | | |
| | | | 2 | | | |
| | | | 3 | | | |
| | | | 4 | | | |
| | | | 5 | | | |
| | | | 6 | | | |
| MATERIAL: ALUMINUM | | | 7 | | | |
| UNITS: INCH SCALE: | | | | | | |
| DRAWN: 08/11/2015 | | | | | | |
| WWW.TECHTOP.COM | | | | | | |

| Components | | | |
|------------|-------|-------------|------------|
| Item | Model | Description | List Price |
| C-Face Kit | | | |

| | | | |
|--------------------------|--|--|--|
| D-Flange Kit | | | |
| DE Endplate Kit | | | |
| NDE Endplate Kit | | | |
| Junction Box | | | |
| Cooling Fan Cover | | | |
| Cooling Fan | | | |
| Replacement Feet | | | |
| DE Bearing Retainer Kit | | | |
| NDE Bearing Retainer Kit | | | |

Techtop Industries -2815 Colonnades Court - Peachtree Corners, GA 30071 - Phone: (678) 436-5540