



<b>Model Number:</b>	WX3-AL-TF-182TC-4-B-D-3
<b>MFG PN:</b>	1040
<b>List Price:</b>	

All data shown at HIGH voltage setting

Format: STD 3 Phase

Electrical Data				General Data			
Rated Motor Output Power	3.0	HP		Frame Size	182TC		
Rated Motor Speed	1760	r/min 60Hz		Enclosure	TEFC		
	1455	r/min 50Hz		Mounting	Rigid/C-Flange		
Rated Motor Voltage (3 Phase)	230/460	V/60Hz		NEMA Design	A		
	190/380	V/50Hz		IP Rating	56		
Rated Motor Current	7.62/3.81	A (In) @ 60Hz		Insulation Class	F		
	8.86/4.43	A (In) @ 50Hz		Tropicalization	1		
FL Current @ 208V	None	A (In) @ 60Hz		Duty	Cont. / S1		
Service Factor	1.25	@ 60Hz		Cable Entry	1-NPT 3/4■		
	1.25	@ 50Hz		Feet Removable	1		
KVA Code	L	60Hz		Double Drilled	0		
	J	50Hz		Frame Material	Cast Aluminum		
Nominal Efficiency	89.5	% @ 60Hz		Shaft Material	1045		
	88.4	% @ 50Hz		Coating	RAL	None	
Nominal Power Factor	0.81	cosθ @ 60Hz					
Full Load Torque Ft-Lb	S			Mechanical Data			
Load Data	Trq Ft-Lb	Trq %FL	Current Amps	Bearing DE Side	6306ZZ		
Locked Rotor				Bearing NDE Side	6206ZZ		
Breakdown	37.0059	421.0	-	Comp Ring (wavey washer)	None		
Pull Up	21.7992	248.0	-	Weight	62.0	Lbs	
Load Data	RPM	Eff %	Current Amps	Moment of Inertia	None	kg.m3	
125% of FL	3496.3	86.1	4.39	Site Conditions			
75% of FL	3541.2	86.43	2.79	Temp Rise @ Full Load °C	B	@ 60Hz	
50% of FL	3561.2	84.23	2.13	Ambient Temperature °C	40		
No Load	1199.0	0	1.95	Altitude Above Sea Level (M)	1000		
Brake Torque (N-M)	100.0		Loaded Torque Curves		None		
Brake Coil Voltage	None		P1 = Output Power (KW), S = Slip (% of Sync RPM), η = Efficiency (%), cosφ = Power Factor				

<b>CT VFD Range</b>	
Haz Loc Rating	
Options:	
<b>UL File Number</b>	
<b>CSA File Number</b>	
<b>DOE File Number</b>	
<b>CE APPROVAL</b>	
<b>Wiring Diagram</b>	<b>NEMA-3-9-YY-Y</b>
<b>3 Phase - YY/Y - 9 Lead</b>	
4,1 Blue / 5,2 White / 6,3 Org / 7 Yl / 8 Blk / 9 RD	
Cast Iron- 1,2,3 Top - 4,5,6,7,8,9 Bottom	
Aluminum - 4,5,6,8,9 Top - 1,2,3,7 Bottom	
<b>CONNECTIONS</b>	
<b>LOW VOLTAGE</b>	<b>HIGH VOLTAGE</b>

Techtop Industries -2815 Colonnades Court - Peachtree Corners, GA 30071 - Phone: (678) 436-5540

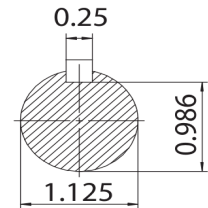
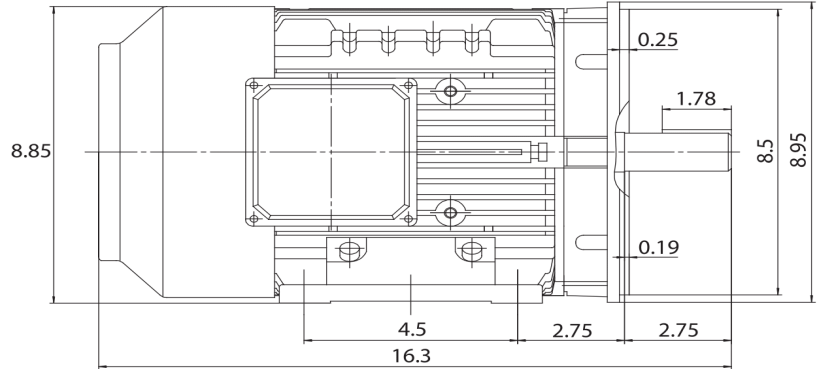
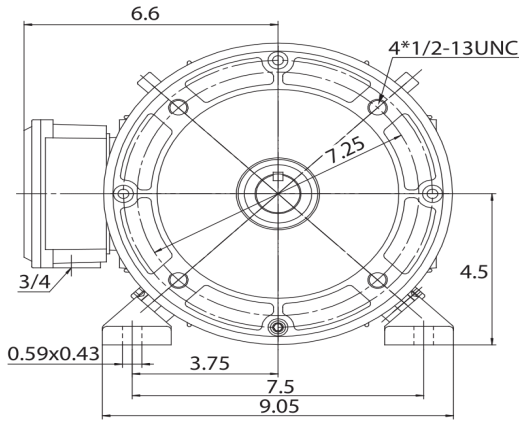


<b>Model Number:</b>	WX3-AL-TF-182TC-4-B-D-3
<b>MFG PN:</b>	
<b>List Price:</b>	1040

Dimensional Drawing (For Reference Only)

GR3-AL-TF-182TC-2D

FRAME: 182TC | HP: | RPM: | PHASE: | VOLT: | ENCL: TEFC | FREQ: | FLA: | LRA: | DE BRG: | ODE BRG:



MATERIAL: ALUMINUM  
 UNITS: INCH | SCALE:  
 DRAWN: 08/11/2015  
 WWW.TECHTOP.COM

MODEL NUMBER:  
 GR3-AL-TF-182TC  
 MFG PN:

REV	BY	DATE
1		
2		
3		
4		
5		
6		
7		

CHANGES

**Components**

Item	Model	Description	List Price
C-Face Kit			

D-Flange Kit			
DE Endplate Kit			
NDE Endplate Kit			
Junction Box			
Cooling Fan Cover			
Cooling Fan			
Replacement Feet			
DE Bearing Retainer Kit			
NDE Bearing Retainer Kit			

Techtop Industries -2815 Colonnades Court - Peachtree Corners, GA 30071 - Phone: (678) 436-5540