



Model Number:	WX3-AL-TF-182T-4-B-D-3
MFG PN:	936
List Price:	

All data shown at HIGH voltage setting

Format: STD 3 Phase

Electrical Data				General Data			
Rated Motor Output Power	3.0	HP		Frame Size	182T		
Rated Motor Speed	1760	r/min 60Hz		Enclosure	TEFC		
	1455	r/min 50Hz		Mounting	Rigid		
Rated Motor Voltage (3 Phase)	230/460	V/60Hz		NEMA Design	A		
	190/380	V/50Hz		IP Rating	56		
Rated Motor Current	7.62/3.81	A (ln) @ 60Hz		Insulation Class	F		
	8.86/4.43	A (ln) @ 50Hz		Tropicalization	1		
FL Current @ 208V	None	A (ln) @ 60Hz		Duty	Cont. / S1		
Service Factor	1.25	@ 60Hz		Cable Entry	1-NPT 3/4■		
	1.25	@ 50Hz		Feet Removable	1		
KVA Code	L	60Hz		Double Drilled	0		
	J	50Hz		Frame Material	Cast Aluminum		
Nominal Efficiency	89.5	% @ 60Hz		Shaft Material	1045		
	88.4	% @ 50Hz		Coating	RAL	None	
Nominal Power Factor	0.81	cosθ @ 60Hz					
Full Load Torque Ft-Lb	S			Mechanical Data			
Load Data	Trq Ft-Lb	Trq %FL	Current Amps	Bearing DE Side	6306ZZ		
Locked Rotor				Bearing NDE Side	6206ZZ		
Breakdown	37.0059	421.0	-	Comp Ring (wavey washer)	NDE		
Pull Up	21.7992	248.0	-	Weight	62.0	Lbs	
Load Data	RPM	Eff %	Current Amps	Moment of Inertia	None	kg.m3	
125% of FL	3496.3	86.1	4.39	Site Conditions			
75% of FL	3541.2	86.43	2.79	Temp Rise @ Full Load °C	B	@ 60Hz	
50% of FL	3561.2	84.23	2.13	Ambient Temperature °C	40		
No Load	1199.0	0	1.95	Altitude Above Sea Level (M)	1000		
Brake Torque (N-M)	100.0	Loaded Torque Curves		None			
Brake Coil Voltage	None	P1 = Output Power (KW), S = Slip (% of Sync RPM), η = Efficiency (%), cosφ = Power Factor					

CT VFD Range	
Haz Loc Rating	
Options:	
UL File Number	
CSA File Number	
DOE File Number	
CE APPROVAL	
Wiring Diagram	NEMA-3-9-YY-Y
3 Phase - YY/Y - 9 Lead	
4,1 Blue / 5,2 White / 6,3 Org / 7 Yl / 8 Blk / 9 RD	
Cast Iron- 1,2,3 Top - 4,5,6,7,8,9 Bottom	
Aluminum - 4,5,6,8,9 Top - 1,2,3,7 Bottom	
CONNECTIONS	
LOW VOLTAGE	HIGH VOLTAGE

Techtop Industries -2815 Colonnades Court - Peachtree Corners, GA 30071 - Phone: (678) 436-5540

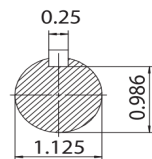
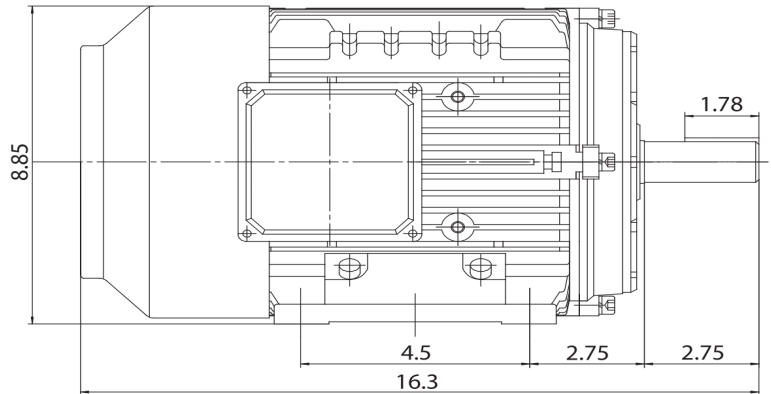
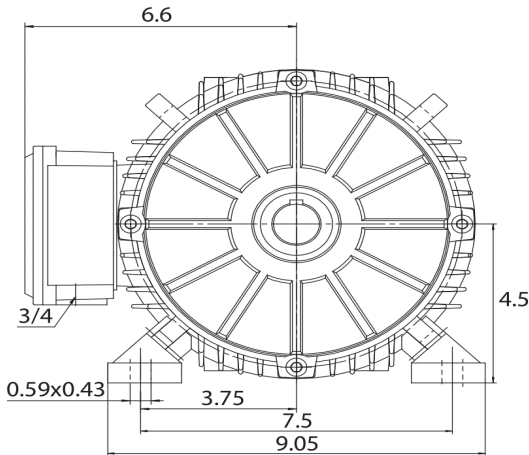


Model Number:	WX3-AL-TF-182T-4-B-D-3
MFG PN:	
List Price:	936

Dimensional Drawing (For Reference Only)

GR3-AL-TF-182T-2D

FRAME: 182T | HP: | RPM: | PHASE: | VOLT: | ENCL: TEFC | FREQ: | FLA: | LRA: | DE BRG: | ODE BRG:



TECHTOP
MATERIAL: ALUMINUM
UNITS: INCH | SCALE:
DRAWN: 08/11/2015
WWW.TECHTOP.COM

MODEL NUMBER:
GR3-AL-TF-182T
MFG PN:

REV	BY	DATE
1		
2		
3		
4		
5		
6		
7		

CHANGES

Components

Item	Model	Description	List Price
C-Face Kit			

D-Flange Kit			
DE Endplate Kit			
NDE Endplate Kit			
Junction Box			
Cooling Fan Cover			
Cooling Fan			
Replacement Feet			
DE Bearing Retainer Kit			
NDE Bearing Retainer Kit			

Techtop Industries -2815 Colonnades Court - Peachtree Corners, GA 30071 - Phone: (678) 436-5540