



Model Number:	WX3-AL-TF-143TC-4-B-D-1
MFG PN:	693
List Price:	

All data shown at HIGH voltage setting Format: STD 3 Phase

Electrical Data				General Data			
Rated Motor Output Power	1.0	HP		Frame Size	143TC		
Rated Motor Speed	1730	r/min 60Hz		Enclosure	TEFC		
	1425	r/min 50Hz		Mounting	Rigid/C-Flange		
Rated Motor Voltage (3 Phase)	230/460	V/60Hz		NEMA Design	B		
	190/380	V/50Hz		IP Rating	56		
Rated Motor Current	2.98/1.49	A (In) @ 60Hz		Insulation Class	F		
	3.50/1.75	A (In) @ 50Hz		Tropicalization	1		
FL Current @ 208V	None	A (In) @ 60Hz		Duty	Cont. / S1		
Service Factor	1.25	@ 60Hz		Cable Entry	1-NPT 3/4■		
	1.25	@ 50Hz		Feet Removable	1		
KVA Code	K	60Hz		Double Drilled	0		
	G	50Hz		Frame Material	Cast Aluminum		
Nominal Efficiency	85.5	% @ 60Hz		Shaft Material	1045		
	83.2	% @ 50Hz		Coating	RAL	None	
Nominal Power Factor	0.74	cosθ @ 60Hz					
Full Load Torque Ft-Lb	S			Mechanical Data			
Load Data	Trq Ft-Lb	Trq %FL	Current Amps	Bearing DE Side		6205ZZ	
Locked Rotor				Bearing NDE Side		6205ZZ	
Breakdown	13.57778161	449.0	-	Comp Ring (wavey washer)		None	
Pull Up	10.97713747	363.0	-	Weight		28.0	Lbs
Load Data	RPM	Eff %	Current Amps	Moment of Inertia		None	kg.m3
125% of FL	1775.9	95.15	102.61	Site Conditions			
75% of FL	1786.2	95.51	64.34	Temp Rise @ Full Load °C		B	@ 60Hz
50% of FL	1790.9	94.91	47.4	Ambient Temperature °C		40	
No Load	1199.0	0	1.12	Altitude Above Sea Level (M)		1000	
Brake Torque (N-M)	100.0		Loaded Torque Curves		None		
Brake Coil Voltage	None		P1 = Output Power (KW), S = Slip (% of Sync RPM), η = Efficiency (%), cosφ = Power Factor				

CT VFD Range	
Haz Loc Rating	
Options:	
UL File Number	
CSA File Number	
DOE File Number	
CE APPROVAL	
Wiring Diagram	NEMA-3-9-YY-Y
3 Phase - YY/Y - 9 Lead	
4,1 Blue / 5,2 White / 6,3 Org / 7 Yl / 8 Blk / 9 RD	
Cast Iron- 1,2,3 Top - 4,5,6,7,8,9 Bottom	
Aluminum - 4,5,6,8,9 Top - 1,2,3,7 Bottom	
CONNECTIONS	
LOW VOLTAGE	HIGH VOLTAGE

Techtop Industries -2815 Colonnades Court - Peachtree Corners, GA 30071 - Phone: (678) 436-5540

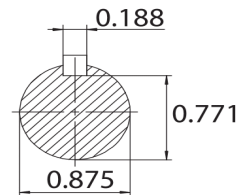
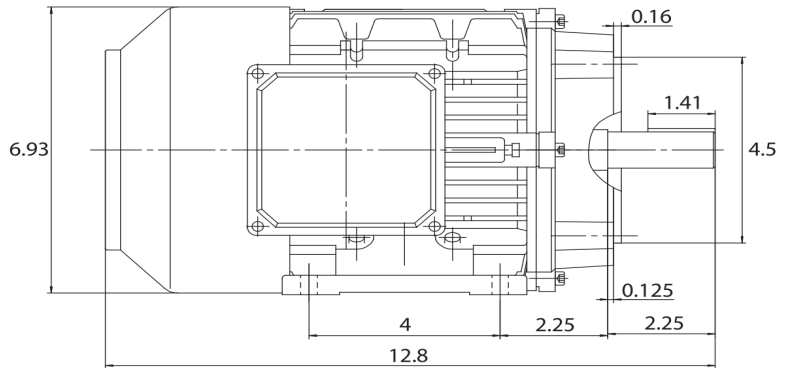
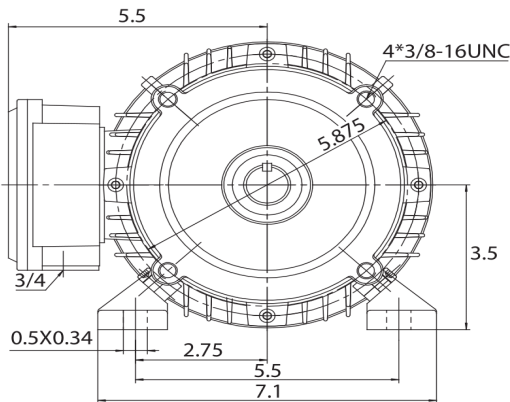


Model Number:	WX3-AL-TF-143TC-4-B-D-1
MFG PN:	
List Price:	693

Dimensional Drawing (For Reference Only)

GR3-AL-TF-143TC-2D

FRAME: 143TC | HP: | RPM: | PHASE: | VOLT: | ENCL: TEFC | FREQ: | FLA: | LRA: | DE BRG: | ODE BRG:



MATERIAL: ALUMINUM
 UNITS: INCH | SCALE:
 DRAWN: 08/10/2015
 WWW.TECHTOP.COM

MODEL NUMBER:
 GR3-AL-TF-143TC
 MFG PN:

REV	BY	DATE
1		
2		
3		
4		
5		
6		
7		

CHANGES

Components

Item	Model	Description	List Price
C-Face Kit			

D-Flange Kit			
DE Endplate Kit			
NDE Endplate Kit			
Junction Box			
Cooling Fan Cover			
Cooling Fan			
Replacement Feet			
DE Bearing Retainer Kit			
NDE Bearing Retainer Kit			

Techtop Industries -2815 Colonnades Court - Peachtree Corners, GA 30071 - Phone: (678) 436-5540