



Model Number:	SD3-364T-4-BR-E-60
MFG PN:	8046
List Price:	

All data shown at HIGH voltage setting Format: STD 3 Phase

Electrical Data				General Data			
Rated Motor Output Power	60.0	HP		Frame Size	364T		
Rated Motor Speed	1775	r/min 60Hz		Enclosure	TEFC		
	1460	r/min 50Hz		Mounting	Rigid		
Rated Motor Voltage (3 Phase)	460	V/60Hz		NEMA Design	B		
	380	V/50Hz		IP Rating	55		
Rated Motor Current	68.8	A (In) @ 60Hz		Insulation Class	F		
	85	A (In) @ 50Hz		Tropicalization	1		
FL Current @ 208V	None	A (In) @ 60Hz		Duty	Cont.		
Service Factor	1.15	@ 60Hz		Cable Entry	None		
	1.15	@ 50Hz		Feet Removable	0		
KVA Code	G	60Hz		Double Drilled	0		
	E	50Hz		Frame Material	Cast		
Nominal Efficiency	95.0	% @ 60Hz		Shaft Material	None		
	91.5	% @ 50Hz		Coating	RAL	7024	
Nominal Power Factor	0.86	cosθ @ 60Hz					
Full Load Torque Ft-Lb	S			Mechanical Data			
Load Data	Trq Ft-Lb	Trq %FL	Current Amps	Bearing DE Side	6313		
Locked Rotor				Bearing NDE Side	6313		
Breakdown	520.1133389	210.0	-	Comp Ring (wavey washer)	DE		
Pull Up	333.7535106	197.0	-	Weight	600.8625	Lbs	
Load Data	RPM	Eff %	Current Amps	Moment of Inertia	None	kg.m3	
125% of FL	1774.4	93.41	82.79	Site Conditions			
75% of FL	1785.5	94.29	52.63	Temp Rise @ Full Load °C	None	@ 60Hz	
50% of FL	1790.5	93.78	40.19	Ambient Temperature °C	40		
No Load	1199.0	0	26.53	Altitude Above Sea Level (M)	1000		
Brake Torque (N-M)	100.0	Loaded Torque Curves		None			
Brake Coil Voltage	None	P1 = Output Power (KW), S = Slip (% of Sync RPM), η = Efficiency (%), cosφ = Power Factor					

CT VFD Range	
Haz Loc Rating	
Options:	
UL File Number	
CSA File Number	
DOE File Number	
CE APPROVAL	
Wiring Diagram	NEMA-3-6-D

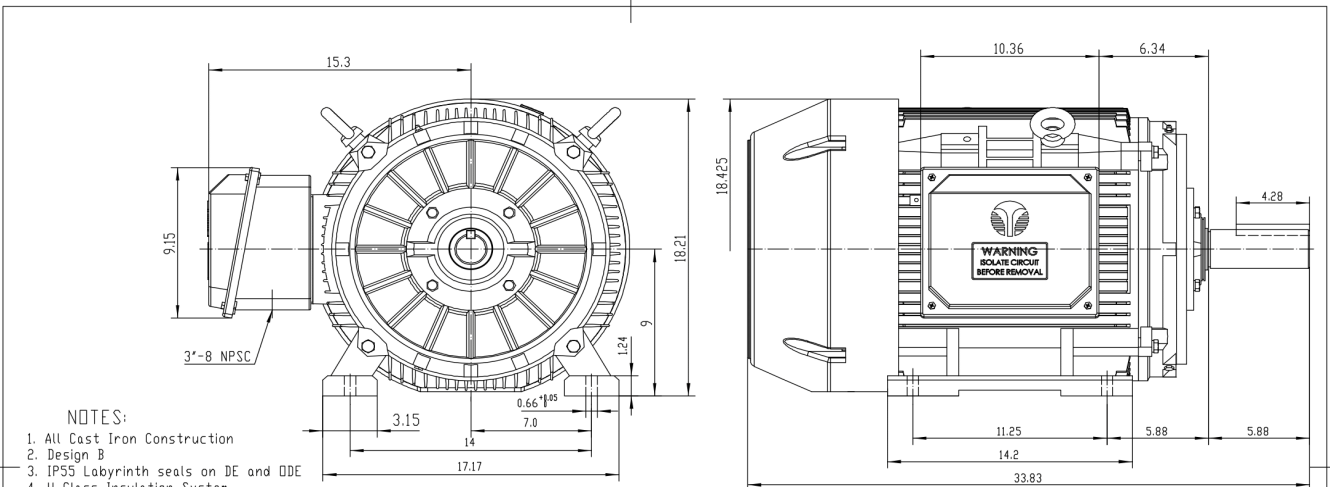
Techtop Industries -2815 Colonnades Court - Peachtree Corners, GA 30071 - Phone: (678) 436-5540



Model Number:	SD3-364T-4-BR-E-60
MFG PN:	
List Price:	8046

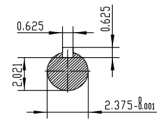
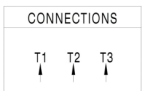
Dimensional Drawing (For Reference Only)

841-364T60U4B



- NOTES:**
- All Cast Iron Construction
 - Design B
 - IP55 Labyrinth seals on DE and ODE
 - H Class Insulation System
 - Max Winding Temperature rise 80°C
 - Max bearing temperature rise 45°C for 4 pole and 50°C for 2 pole motors when direct coupled.
 - Regreasable bearings
 - External Grounding provisions
 - Maximum Foot flatness deviation .127 mm
 - Conductive Polymer Cooling Fan
 - Diagonally Split Conduit Box rotatable in 90° increments
 - Lead seals in conduit box
 - Maximum no load sound power 85 dBA(2 pole), Maximum no load sound power 70 dBA(4 pole), Maximum no load sound power 64 dBA(6 pole).
 - No Load Motor Vibration not to exceed
 - Radial 60HZ - 2.03mm/s (2,4 pole) and 1.52mm/s (6 pole)
 - Axial 60HZ - 1.52mm/s
 - 300 series Stainless Steel hardware
 - Epoxy Coating meeting ASTM B117-97 for 96 h
 - All internal surfaces coated with anti-corrosion coating.
 - Internal Shaft Grounding brush installed on drive end.
 - No Load test report included with motor

TECHTOP IEEE 841		SEVERE DUTY ELECTRIC MOTOR	
MODEL SD3-364T-4-BR-E-60		TECHTOP.COM	
NEMA	HP	50 Hz	50 Hz
	60	60	60
	1775	1460	DATE
VOLTS	460	380	0686002
FLA	68.8	85.0	DESIGN
SF	1.15	1	9
KVA CODE	G	E	FRAME
NOM EFF	0.950		364T
			ENCL
			TEFC
			PI
			55
			DUTY
			Cont.
			INS CL
			H
			AMB
			40
			WEIGHT
			815.9 lbs
			MADE IN CHINA
			22893



TECHTOP		NEMA TEFC 364T-60HP-4P	
ShangHai HIMAK Electrical Machinery CO., LTD		IEEE-841 UNITS:INCH	
Design	Standard	NO:	CY258.A20.002
Checker	Allow	STEP MARK	1:5 SORT Cast iron Motor
Auditing	Date		

Components			
Item	Model	Description	List Price
C-Face Kit			
D-Flange Kit			
DE Endplate Kit			
NDE Endplate Kit			
Junction Box			
Cooling Fan Cover			
Cooling Fan			
Replacement Feet			
DE Bearing Retainer Kit			
NDE Bearing Retainer Kit			

