



Model Number:	SD3-254T-4-BR-E-15
MFG PN:	2523
List Price:	

All data shown at HIGH voltage setting

Format: STD 3 Phase

Electrical Data				General Data			
Rated Motor Output Power	15.0	HP		Frame Size	254T		
Rated Motor Speed	1770	r/min 60Hz		Enclosure	TEFC		
	1460	r/min 50Hz		Mounting	Rigid		
Rated Motor Voltage (3 Phase)	460	V/60Hz		NEMA Design	B		
	380	V/50Hz		IP Rating	55		
Rated Motor Current	17.3	A (In) @ 60Hz		Insulation Class	F		
	21	A (In) @ 50Hz		Tropicalization	1		
FL Current @ 208V	None	A (In) @ 60Hz		Duty	Cont.		
Service Factor	1.25	@ 60Hz		Cable Entry	None		
	1.25	@ 50Hz		Feet Removable	0		
KVA Code	G	60Hz		Double Drilled	0		
	E	50Hz		Frame Material	Cast		
Nominal Efficiency	92.4	% @ 60Hz		Shaft Material	None		
	89.7	% @ 50Hz		Coating	RAL	7024	
Nominal Power Factor	0.88	cosθ @ 60Hz					
Full Load Torque Ft-Lb	S			Mechanical Data			
Load Data	Trq Ft-Lb	Trq %FL	Current Amps	Bearing DE Side	6309		
Locked Rotor				Bearing NDE Side	6309		
Breakdown	520.1133389	220.0	-	Comp Ring (wavey washer)	DE		
Pull Up	333.7535106	197.0	-	Weight	600.8625	Lbs	
Load Data	RPM	Eff %	Current Amps	Moment of Inertia	None	kg.m3	
125% of FL	1774.4	93.41	82.79	Site Conditions			
75% of FL	1785.5	94.29	52.63	Temp Rise @ Full Load °C	None	@ 60Hz	
50% of FL	1790.5	93.78	40.19	Ambient Temperature °C	40		
No Load	1199.0	0	26.53	Altitude Above Sea Level (M)	1000		
Brake Torque (N-M)	100.0	Loaded Torque Curves		None			
Brake Coil Voltage	None	P1 = Output Power (KW), S = Slip (% of Sync RPM), η = Efficiency (%), cosφ = Power Factor					

<b>CT VFD Range</b>	
Haz Loc Rating	
Options:	
<b>UL File Number</b>	
<b>CSA File Number</b>	
<b>DOE File Number</b>	
<b>CE APPROVAL</b>	
<b>Wiring Diagram</b>	<b>NEMA-3-6-D</b>

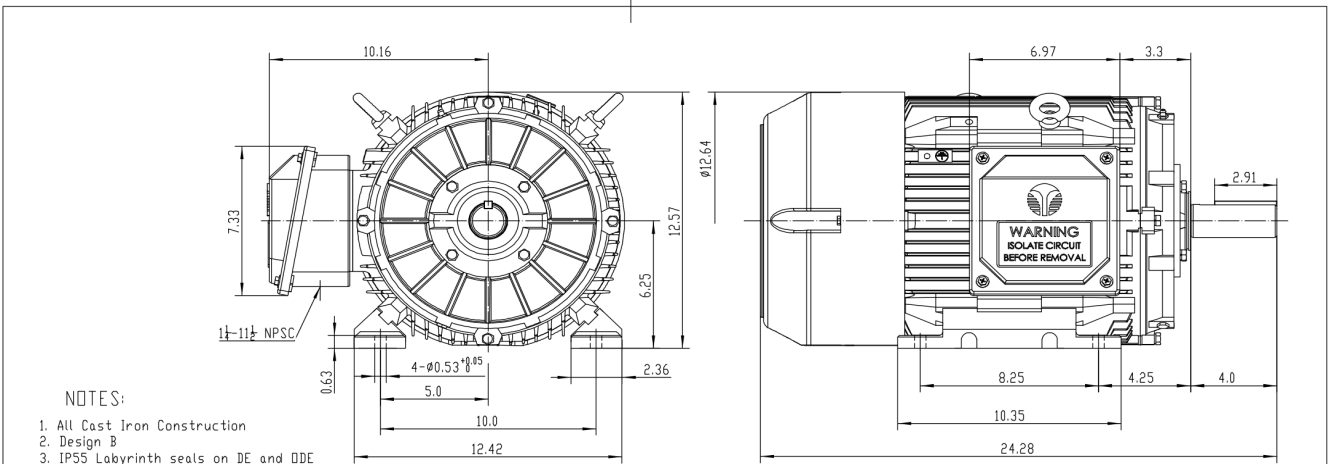
Techtop Industries -2815 Colonnades Court - Peachtree Corners, GA 30071 - Phone: (678) 436-5540



<b>Model Number:</b>	SD3-254T-4-BR-E-15
<b>MFG PN:</b>	
<b>List Price:</b>	2523

Dimensional Drawing (For Reference Only)

841-254T15U4B

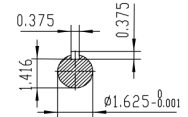
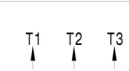


**NOTES:**

- All Cast Iron Construction
- Design B
- IP55 Labyrinth seals on DE and DDE
- H Class Insulation System
- Max Winding Temperature rise 80°C
- Max bearing temperature rise 45°C for 4 pole and 50°C for 2 pole motors when direct coupled.
- Regreasable bearings
- External Grounding provisions
- Maximum foot flatness deviation .127 mm
- Conductive Polymer Cooling Fan
- Diagonally Split Conduit Box rotatable in 90° Increments
- Lead seals in conduit box
- Maximum no load sound power 85 dBA(2 pole), Maximum no load sound power 70 dBA(4 pole), Maximum no load sound power 64 dBA(6 pole).
- No Load Motor Vibration not to exceed  
a.Radial 60HZ - 2.03mm/s (2,4 pole) and 1.52mm/s (6 pole)  
b.Axial 60HZ - 1.52mm/s
- 300 series Stainless Steel hardware
- Epoxy Coating meeting ASTM B117-97 for 96 h
- All internal surfaces coated with anti-corrosion coating.
- Internal Shaft Grounding brush installed on drive end.
- No Load test report included with motor

<b>TECHTOP IEEE 841</b>		SEVERE DUTY ELECTRIC MOTOR	
MODEL SD3-254T-4-BR-E-15		TECHTOP.COM	
NEMA DESIGN	HP	SER #	DATE
15	15	T 254T15U4B	1603102021
RPM	1770	1460	DESIGN
VOLT(3Ø)	460	380	B
FLA	17.3	21.0	FRAME
SF	1.25	1	254T
KVA CODE	G	E	ENCL
NOMLEFF	0.924		TEFC
BEARING SIZE		INS CL	
DE 4305-23		H	
DDE 4305-23		AMB	
WEIGHT		285.9 lbs	
VFD 15.1 CT-1.0 SF		MADE IN CHINA	

**CONNECTIONS**



<b>TECHTOP</b>		NEMA TEFC 254T-15HP-4P	
ShangHai HIMAK Electrical Machinery CO., LTD		IEEE-841 UNITS:INCH	
Design	Standard	NO:	CY255.A20.002
Checker	Allow	STEP MARK	1:4 SORT Cast iron Motor
Auditing	Date		

**Components**

Item	Model	Description	List Price
C-Face Kit			
D-Flange Kit			
DE Endplate Kit			
NDE Endplate Kit			
Junction Box			
Cooling Fan Cover			
Cooling Fan			
Replacement Feet			
DE Bearing Retainer Kit			
NDE Bearing Retainer Kit			

