



<b>Model Number:</b>	SD3-184T-4-BR-E-5
<b>MFG PN:</b>	1190
<b>List Price:</b>	

All data shown at HIGH voltage setting

Format: STD 3 Phase

Electrical Data				General Data			
Rated Motor Output Power	5.0	HP		Frame Size	184T		
Rated Motor Speed	1750	r/min 60Hz		Enclosure	TEFC		
	1430	r/min 50Hz		Mounting	Rigid		
Rated Motor Voltage (3 Phase)	460	V/60Hz		NEMA Design	B		
	380	V/50Hz		IP Rating	55		
Rated Motor Current	6.2	A (In) @ 60Hz		Insulation Class	F		
	7.6	A (In) @ 50Hz		Tropicalization	1		
FL Current @ 208V	None	A (In) @ 60Hz		Duty	Cont.		
Service Factor	1.25	@ 60Hz		Cable Entry	None		
	1.25	@ 50Hz		Feet Removable	0		
KVA Code	J	60Hz		Double Drilled	0		
	G	50Hz		Frame Material	Cast		
Nominal Efficiency	89.5	% @ 60Hz		Shaft Material	None		
	85.1	% @ 50Hz		Coating	RAL	7024	
Nominal Power Factor	0.85	cosθ @ 60Hz					
Full Load Torque Ft-Lb	S			Mechanical Data			
Load Data	Trq Ft-Lb	Trq %FL	Current Amps	Bearing DE Side	6306Z		
Locked Rotor				Bearing NDE Side	6306Z		
Breakdown	520.1133389	250.0	-	Comp Ring (wavey washer)	DE		
Pull Up	333.7535106	197.0	-	Weight	600.8625	Lbs	
Load Data	RPM	Eff %	Current Amps	Moment of Inertia	None	kg.m3	
125% of FL	1774.4	93.41	82.79	Site Conditions			
75% of FL	1785.5	94.29	52.63	Temp Rise @ Full Load °C	None	@ 60Hz	
50% of FL	1790.5	93.78	40.19	Ambient Temperature °C	40		
No Load	1199.0	0	26.53	Altitude Above Sea Level (M)	1000		
Brake Torque (N-M)	100.0	Loaded Torque Curves		None			
Brake Coil Voltage	None	P1 = Output Power (KW), S = Slip (% of Sync RPM), η = Efficiency (%), cosφ = Power Factor					

<b>CT VFD Range</b>		
Haz Loc Rating		
Options:		
<b>UL File Number</b>		
<b>CSA File Number</b>		
<b>DOE File Number</b>		
<b>CE APPROVAL</b>		
<b>Wiring Diagram</b>	<b>NEMA-3-6-D</b>	

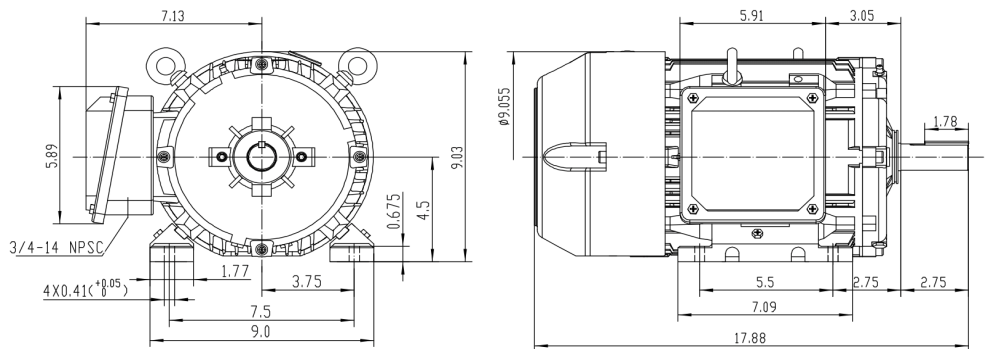
Techtop Industries -2815 Colonnades Court - Peachtree Corners, GA 30071 - Phone: (678) 436-5540



<b>Model Number:</b>	SD3-184T-4-BR-E-5
<b>MFG PN:</b>	
<b>List Price:</b>	1190

Dimensional Drawing (For Reference Only)

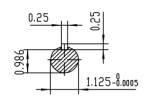
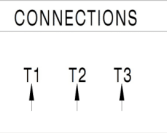
841-184T5U4B



NOTES:

- All Cast Iron Construction
- Design B
- IP55 Labyrinth seals on DE and ODE
- H Class Insulation System
- Max Winding Temperature rise 80°C
- Max bearing temperature rise 45°C for 4 pole and 50°C for 2 pole motors when direct coupled.
- Regreasable bearings
- External Grounding provisions
- Maximum foot flatness deviation .127 mm
- Conductive Polymer Cooling Fan
- Diagonally Split Conduit Box rotatable in 90° Increments
- Lead seals in conduit box
- Maximum no load sound power 85 dBA(2 pole), Maximum no load sound power 70 dBA(4 pole), Maximum no load sound power 64 dBA(6 pole).
- No Load Motor Vibration not to exceed
  - Radial 60HZ - 2.03mm/s (2,4 pole) and 1.52mm/s (6 pole)
  - Axial 60HZ - 1.52mm/s
- 300 series Stainless Steel hardware
- Epoxy Coating meeting ASTM B117-97 for 96 h
- All internal surfaces coated with anti-corrosion coating.
- Internal Shaft Grounding brush installed on drive end.
- No Load test report included with motor

<b>TECHTOP IEEE 841 SEVERE DUTY ELECTRIC MOTOR</b>	
MODEL SD3-184T-4-BR-E-5	
TECHTOP.COM	
NEMA	60 Hz 50 Hz
HP	5 5
RPM	1750 1430
VOLTAGE	460 380
FLA	6.2 7.6
SF	1 1
KVA CODE	J G
NOM.EFF	0.895
DATE	0688002
DESIGN	B
FRAME	184T
ENCL	TEFC
IP	55
DUTY	Cont.
INS CL	H
AMB	40 °C
WEIGHT	119.2 lbs 244kg
VFD 15:1 CT-1.0 SF	
MADE IN CHINA	



<b>TECHTOP</b>		NEMA TEFC 184T-5HP-4P	
ShangHai HIMAK Electrical Machinery CO., LTD		IEEE-841 UNITS:INCH	
Design	Standard	NO:	CY253.A20.005
Checker	Allow	STEP MARK	1:3.5 SORT Cast iron Motor
Auditing	Date		

Components			
Item	Model	Description	List Price
C-Face Kit			
D-Flange Kit			
DE Endplate Kit			
NDE Endplate Kit			
Junction Box			
Cooling Fan Cover			
Cooling Fan			
Replacement Feet			
DE Bearing Retainer Kit			
NDE Bearing Retainer Kit			

