



Model Number:	RD1-RS-TF-56HC-4-B-C-1.5
MFG PN:	507
List Price:	

All data shown at HIGH voltage setting

Format:STD 1 Phase

Electrical Data				General Data			
Rated Motor Output Power	1.5	HP		Frame Size	56HC		
Rated Motor Speed	1740	r/min 60Hz		Enclosure	TEFC		
Rated Motor Voltage (1 Phase)	115/208-230	V/60Hz		Mounting	Rigid/C-Flange		
Rated Motor Current	13.3/7.2-6.65	A (In) @ 60Hz		NEMA Design	L		
FL Current @ 208V	None	A (In) @ 60Hz		IP Rating	54		
Service Factor	1.15	@ 60Hz		Insulation Class	F		
KVA Code	H	60Hz		Tropicalization	True		
Nominal Efficiency	79.5	% @ 60Hz		Duty	Cont. / S1		
Nominal Power Factor	0.92	cosθ @ 60Hz		Cable Entry	0.88"		
Brake Torque (N-M)	100.0			Feet Removable	0		
Brake Coil Voltage	None			Double Drilled	1		
Capacitors	mF	Voltage	QTY	Frame Material	Rolled Steel		
Start	400	165	DB	Shaft Material	1045		
Run	80	250	DF	Coating	RAL	7024	
Centrifugal Switch Type:							
Full Load Torque Ft-Lb	4.5544			Mechanical Data			
Load Data	Trq Ft-Lb	Trq %FL	Current Amps	Bearing DE Side	6204-2RZ		
Locked Rotor				Bearing NDE Side	6203-2RZ		
Breakdown	12.205792	268.0	-	Comp Ring (wavey washer)	NDE		
Pull Up	11.340456	249.0	-	Weight	48.0	Lbs	
Load Data	RPM	Eff %	Current Amps	Moment of Inertia	None	kg.m3	
125% of FL	1775.9	95.15	3.55	Site Conditions			
75% of FL	1786.2	95.51	3.24	Temp Rise @ Full Load °C	AM	@ 60Hz	
50% of FL	1790.9	94.91	3.12	Ambient Temperature °C	40		
No Load	1199.0	0	2.84	Altitude Above Sea Level (M)	1000		
Options				Loaded Torque Curves		None	
UL File Number				P1 = Output Power (KW), S = Slip (% of Sync RPM), η = Efficiency (%), cosφ = Power Factor			
CSA File Number							
DOE File Number							
CE APPROVAL							
Wiring Diagram	NEMA-FD-56-140T						

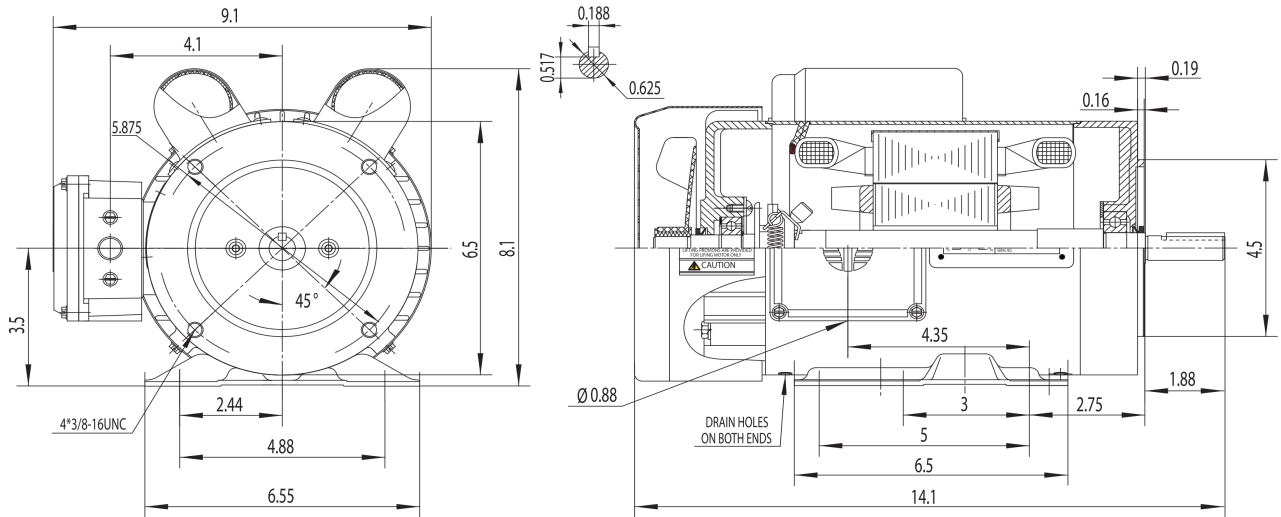
Techtop Industries -2815 Colonnades Court - Peachtree Corners, GA 30071 - Phone: (678) 436-5540



Model Number:	RD1-RS-TF-56HC-4-B-C-1.5
MFG PN:	
List Price:	507
Configuration Schematic:	F1 TEFC

Dimensional Drawing (For Reference Only)

RD1-RS-TF-56HC



NEMA TEFC 56HC

Drawing Number:	RD1-RS-TF-56HC	Issued Date:	6/22/15
Dimensions:	Inches		
Mounting:	Rigid/C-Flange	TEFC - Red Line NEMA High Torque Farm Duty Series	
Casing Material:	Rolled Steel		

Components

Item	Model	Description	List Price
C-Face Kit			{data.c_kit_price}}
DE Endplate Kit			
NDE Endplate Kit			
Junction Box			
Cooling Fan Cover			
Cooling Fan			
Centrifugal Switch Fixed			
Centrifugal Switch Rotating			
Start Capacitor			
Run Capacitor			

