



Model Number:

RD1-RS-TF-56C-4-B-C-.75-RND

MFG PN:

358

List Price:

All data shown at HIGH voltage setting

Format:STD 1 Phase

| Electrical Data | | | | General Data | | | |
|-------------------------------|-----------------|---------------|--------------|--|----------|--------|--|
| Rated Motor Output Power | 0.75 | HP | | Frame Size | 56C | | |
| Rated Motor Speed | 1725 | r/min 60Hz | | Enclosure | TEFC | | |
| Rated Motor Voltage (1 Phase) | 115/208-230 | V/60Hz | | Mounting | Round | | |
| Rated Motor Current | 7.4/4.1-3.7 | A (In) @ 60Hz | | NEMA Design | L | | |
| FL Current @ 208V | None | A (In) @ 60Hz | | IP Rating | 54 | | |
| Service Factor | 1.15 | @ 60Hz | | Insulation Class | F | | |
| KVA Code | J | 60Hz | | Tropicalization | True | | |
| Nominal Efficiency | 72.0 | % @ 60Hz | | Duty | Cont. | | |
| Nominal Power Factor | 0.9 | cosθ @ 60Hz | | Cable Entry | 0.88" | | |
| Brake Torque (N-M) | 100.0 | | | Feet Removable | 0 | | |
| Brake Coil Voltage | None | | | Double Drilled | 0 | | |
| Capacitors | mF | Voltage | QTY | Frame Material | Rolled | | |
| Start | 300 | 125 | DB | Shaft Material | 1045 | | |
| Run | 60 | 250 | DF | Coating | RAL | 7024 | |
| Centrifugal Switch Type: | | | | | | | |
| Full Load Torque Ft-Lb | 2.279067041 | | | Mechanical Data | | | |
| Load Data | Trq Ft-Lb | Trq %FL | Current Amps | Bearing DE Side | 6203-2RZ | | |
| Locked Rotor | | | | Bearing NDE Side | 6202-2RZ | | |
| Breakdown | 6.221853023 | 273.0 | - | Comp Ring (wavey washer) | NDE | | |
| Pull Up | 5.241854195 | 230.0 | - | Weight | 30.0 | Lbs | |
| Load Data | RPM | Eff % | Current Amps | Moment of Inertia | None | kg.m3 | |
| 125% of FL | 1775.9 | 95.15 | 3.55 | Site Conditions | | | |
| 75% of FL | 1786.2 | 95.51 | 3.24 | Temp Rise @ Full Load °C | AM | @ 60Hz | |
| 50% of FL | 1790.9 | 94.91 | 3.12 | Ambient Temperature °C | 40 | | |
| No Load | 1199.0 | 0 | 2.84 | Altitude Above Sea Level (M) | 1000 | | |
| Options | | | | Loaded Torque Curves | | None | |
| UL File Number | | | | P1 = Output Power (KW), S = Slip (% of Sync RPM), η = Efficiency (%), cosφ = Power Factor | | | |
| CSA File Number | | | | | | | |
| DOE File Number | | | | | | | |
| CE APPROVAL | | | | | | | |
| Wiring Diagram | NEMA-FD-56-140T | | | | | | |

Techtop Industries -2815 Colonnades Court - Peachtree Corners, GA 30071 - Phone: (678) 436-5540



Model Number: RD1-RS-TF-56C-4-B-C-.75-RND

MFG PN:

List Price:

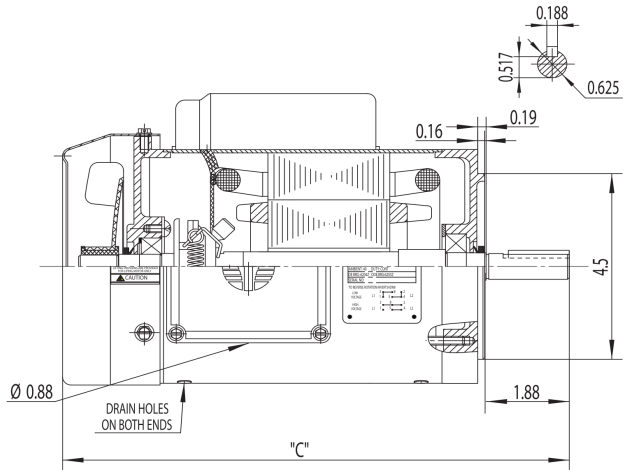
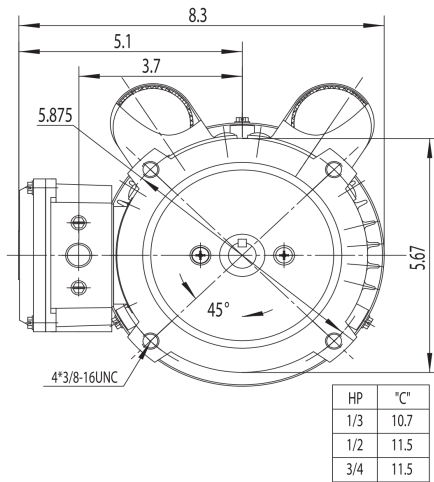
358

Configuration Schematic:

F1 TEFC

Dimensional Drawing (For Reference Only)

RD1-RS-TF-56C-RND



NEMA TEFC 56C

Drawing Number: RD1-RS-TF-56C-RND

Dimensions: Inches

Mounting: C-Flange

Casing Material: Rolled Steel

Issued Date:

6/22/15

TEFC - Red Line NEMA High Torque Farm Duty Series

Components

| Item | Model | Description | List Price |
|-----------------------------|-------|-------------|---------------------|
| C-Face Kit | | | {data.c_kit_price}} |
| DE Endplate Kit | | | |
| NDE Endplate Kit | | | |
| Junction Box | | | |
| Cooling Fan Cover | | | |
| Cooling Fan | | | |
| Centrifugal Switch Fixed | | | |
| Centrifugal Switch Rotating | | | |
| Start Capacitor | | | |
| Run Capacitor | | | |

