



Model Number:	RD1-RS-TF-56C-4-B-C-.33-RND
MFG PN:	2932
List Price:	

All data shown at HIGH voltage setting

Format:STD 1 Phase

Electrical Data				General Data		
Rated Motor Output Power	0.33	HP		Frame Size	56C	
Rated Motor Speed	1725	r/min 60Hz		Enclosure	TEFC	
Rated Motor Voltage (1 Phase)	115/208-230	V/60Hz		Mounting	Round	
Rated Motor Current	3.7/2.0-1.85	A (In) @ 60Hz		NEMA Design	L	
FL Current @ 208V	None	A (In) @ 60Hz		IP Rating	54	
Service Factor	1.15	@ 60Hz		Insulation Class	F	
KVA Code	K	60Hz		Tropicalization	True	
Nominal Efficiency	67.0	% @ 60Hz		Duty	Cont.	
Nominal Power Factor	0.9	cosθ @ 60Hz		Cable Entry	0.88"	
Brake Torque (N-M)	100.0			Feet Removable	0	
Brake Coil Voltage	None			Double Drilled	0	
Capacitors	mF	Voltage	QTY	Frame Material	Rolled	
Start	200	125	DB	Shaft Material	1045	
Run	30	250	DF	Coating	RAL	7024
Centrifugal Switch Type:						
Full Load Torque Ft-Lb	1.010460145			Mechanical Data		
Load Data	Trq Ft-Lb	Trq %FL	Current Amps	Bearing DE Side	6203-2RZ	
Locked Rotor				Bearing NDE Side	6202-2RZ	
Breakdown	3.314309274	328.0	-	Comp Ring (wavey washer)	NDE	
Pull Up	3.081903441	305.0	-	Weight	23.0	Lbs
Load Data	RPM	Eff %	Current Amps	Moment of Inertia	None	kg.m3
125% of FL	1775.9	95.15	3.55	Site Conditions		
75% of FL	1786.2	95.51	3.24	Temp Rise @ Full Load °C	AM	@ 60Hz
50% of FL	1790.9	94.91	3.12	Ambient Temperature °C	40	
No Load	1199.0	0	2.84	Altitude Above Sea Level (M)	1000	
Options				Loaded Torque Curves	None	
UL File Number				P1 = Output Power (KW), S = Slip (% of Sync RPM), η = Efficiency (%), cosφ = Power Factor		
CSA File Number						
DOE File Number						
CE APPROVAL						
Wiring Diagram	NEMA-FD-56-140T					

Techtop Industries -2815 Colonnades Court - Peachtree Corners, GA 30071 - Phone: (678) 436-5540



Model Number: RD1-RS-TF-56C-4-B-C-.33-RND

MFG PN:

List Price:

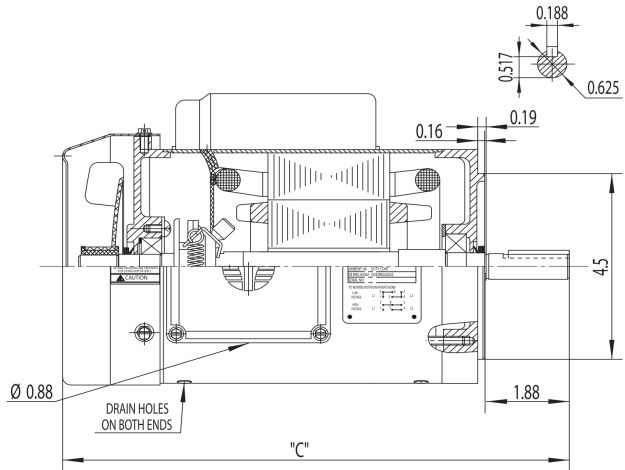
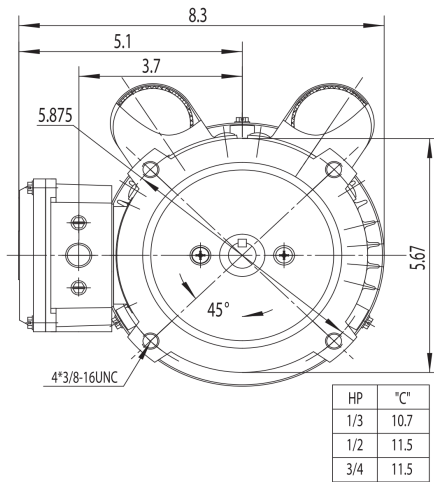
2932

Configuration Schematic:

F1 TEFC

Dimensional Drawing (For Reference Only)

RD1-RS-TF-56C-RND



NEMA TEFC 56C

Drawing Number: RD1-RS-TF-56C-RND

Dimensions: Inches

Mounting: C-Flange

Casing Material: Rolled Steel

Issued Date:

6/22/15

TEFC - Red Line NEMA High Torque Farm Duty Series

Components

Item	Model	Description	List Price
C-Face Kit			{data.c_kit_price}}
DE Endplate Kit			
NDE Endplate Kit			
Junction Box			
Cooling Fan Cover			
Cooling Fan			
Centrifugal Switch Fixed			
Centrifugal Switch Rotating			
Start Capacitor			
Run Capacitor			

