



<b>Model Number:</b>	RD1-RS-TF-184T-4-B-B-5
<b>MFG PN:</b>	958
<b>List Price:</b>	

All data shown at HIGH voltage setting

Format:STD 1 Phase

Electrical Data				General Data			
Rated Motor Output Power	5.0	HP		Frame Size	184T		
Rated Motor Speed	1740	r/min 60Hz		Enclosure	TEFC		
Rated Motor Voltage (1 Phase)	208-230	V/60Hz		Mounting	Rigid		
Rated Motor Current	23.2-21.0	A (In) @ 60Hz		NEMA Design	L		
FL Current @ 208V	None	A (In) @ 60Hz		IP Rating	54		
Service Factor	1.15	@ 60Hz		Insulation Class	F		
KVA Code	G	60Hz		Tropicalization	True		
Nominal Efficiency	82.0	% @ 60Hz		Duty	Cont.		
Nominal Power Factor	0.93	cosθ @ 60Hz		Cable Entry	1.1"		
Brake Torque (N-M)	100.0			Feet Removable	0		
Brake Coil Voltage	None			Double Drilled	1		
Capacitors	mF	Voltage	QTY	Frame Material	Rolled		
Start	350	330	DB	Shaft Material	1045		
Run	30	450	DF	Coating	RAL	7024	
Centrifugal Switch Type:							
Full Load Torque Ft-Lb	15.3413			Mechanical Data			
Load Data	Trq Ft-Lb	Trq %FL	Current Amps	Bearing DE Side	6306-2RZ		
Locked Rotor				Bearing NDE Side	6206-2RZ		
Breakdown	33.444034	218.0	-	Comp Ring (wavey washer)	NDE		
Pull Up	28.841644	188.0	-	Weight	110.0	Lbs	
Load Data	RPM	Eff %	Current Amps	Moment of Inertia	None	kg.m3	
125% of FL	1775.9	95.15	102.61	Site Conditions			
75% of FL	1786.2	95.51	64.34	Temp Rise @ Full Load °C	AM	@ 60Hz	
50% of FL	1790.9	94.91	47.4	Ambient Temperature °C	40		
No Load	1199.0	0	4.5	Altitude Above Sea Level (M)	1000		
Options				Loaded Torque Curves		None	
UL File Number				<b>P1 = Output Power (KW), S = Slip (% of Sync RPM), η = Efficiency (%), cosφ = Power Factor</b>			
CSA File Number							
DOE File Number							
CE APPROVAL							
Wiring Diagram	NEMA-FD-180T						

Techtop Industries -2815 Colonnades Court - Peachtree Corners, GA 30071 - Phone: (678) 436-5540



**Model Number:** RD1-RS-TF-184T-4-B-B-5

**MFG PN:**

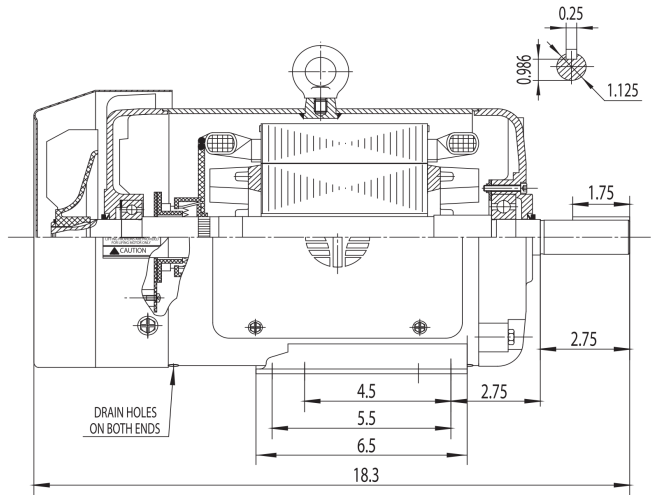
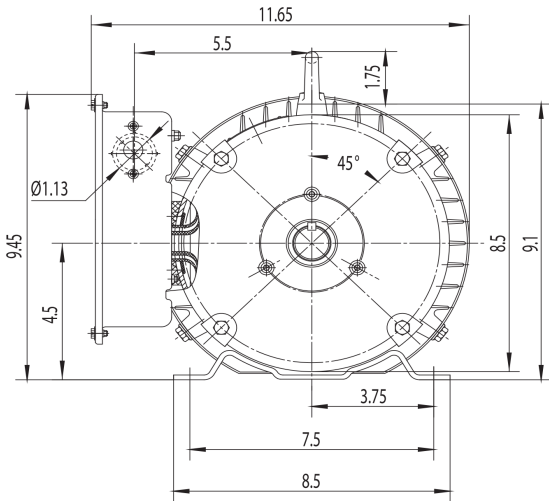
**List Price:** 958

Configuration Schematic:

F1 TEFC

Dimensional Drawing (For Reference Only)

RD1-RS-TF-184T



**NEMA TEFC 184T**

Drawing Number: RD1-RS-TF-184T

Dimensions: Inches

Mounting: Rigid

Casing Material: Rolled Steel

Issued Date: 6/22/15

TEFC - Red Line NEMA High Torque Farm Duty Series

**Components**

Item	Model	Description	List Price
C-Face Kit			{data.c_kit_price}}
DE Endplate Kit			
NDE Endplate Kit			
Junction Box			
Cooling Fan Cover			
Cooling Fan			
Centrifugal Switch Fixed			
Centrifugal Switch Rotating			
Start Capacitor			
Run Capacitor			

