



Model Number:

RD1-RS-TF-143T-4-B-C-1

MFG PN:

448

List Price:

All data shown at HIGH voltage setting

Format:STD 1 Phase

Electrical Data				General Data			
Rated Motor Output Power	1.0	HP		Frame Size	143T		
Rated Motor Speed	1750	r/min 60Hz		Enclosure	TEFC		
Rated Motor Voltage (1 Phase)	115/208-230	V/60Hz		Mounting	Rigid		
Rated Motor Current	9.3/4.95-4.65	A (In) @ 60Hz		NEMA Design	L		
FL Current @ 208V	None	A (In) @ 60Hz		IP Rating	54		
Service Factor	1.15	@ 60Hz		Insulation Class	F		
KVA Code	J	60Hz		Tropicalization	True		
Nominal Efficiency	77.5	% @ 60Hz		Duty	Cont.		
Nominal Power Factor	0.9	cosθ @ 60Hz		Cable Entry	0.88"		
Brake Torque (N-M)	100.0			Feet Removable	0		
Brake Coil Voltage	None			Double Drilled	1		
Capacitors	mF	Voltage	QTY	Frame Material	Rolled		
Start	300	165	DB	Shaft Material	1045		
Run	60	250	DF	Coating	RAL	7024	
Centrifugal Switch Type:							
Full Load Torque Ft-Lb	3.024004812			Mechanical Data			
Load Data	Trq Ft-Lb	Trq %FL	Current Amps	Bearing DE Side	6205-2RZ		
Locked Rotor				Bearing NDE Side	6203-2RZ		
Breakdown	8.0438528	266.0	-	Comp Ring (wavey washer)	NDE		
Pull Up	7.257611549	240.0	-	Weight	41.0	Lbs	
Load Data	RPM	Eff %	Current Amps	Moment of Inertia	None	kg.m3	
125% of FL	1775.9	95.15	102.61	Site Conditions			
75% of FL	1786.2	95.51	64.34	Temp Rise @ Full Load °C	AM	@ 60Hz	
50% of FL	1790.9	94.91	47.4	Ambient Temperature °C	40		
No Load	1199.0	0	2.07	Altitude Above Sea Level (M)	1000		
Options				Loaded Torque Curves		None	
UL File Number				P1 = Output Power (KW), S = Slip (% of Sync RPM), η = Efficiency (%), cosφ = Power Factor			
CSA File Number							
DOE File Number							
CE APPROVAL							
Wiring Diagram	NEMA-FD-56-140T						

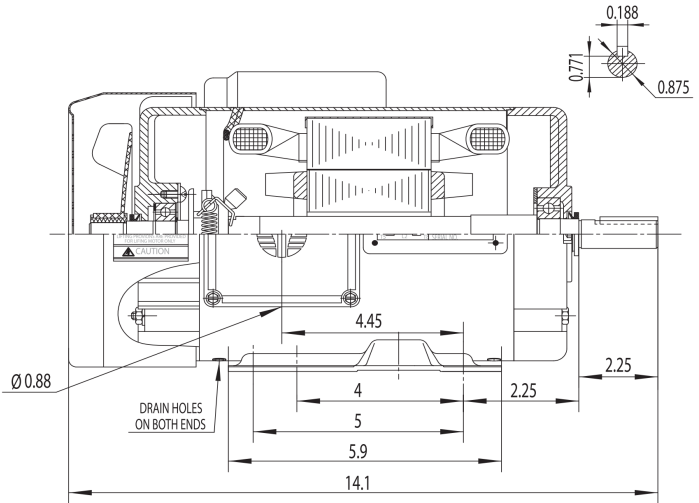
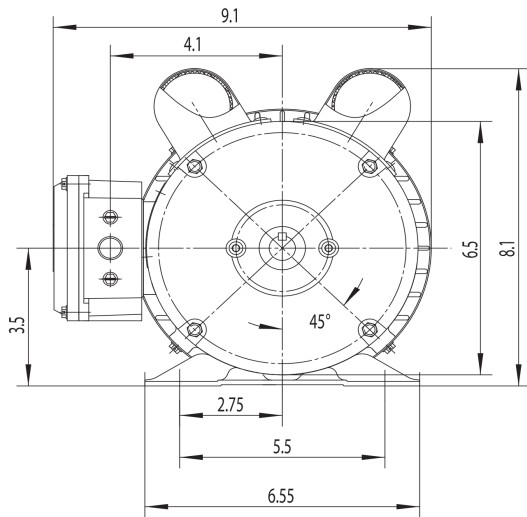
Techtop Industries -2815 Colonnades Court - Peachtree Corners, GA 30071 - Phone: (678) 436-5540



Model Number:	RD1-RS-TF-143T-4-B-C-1		
MFG PN:			
List Price:	448		
	Configuration Schematic:	F1 TEFC	

Dimensional Drawing (For Reference Only)

RD1-RS-TF-140T



NEMA TEFC 145T

Drawing Number:	RD1-RS-TF-140T	Issued Date:	6/22/15
Dimensions:	Inches	TEFC - Red Line NEMA High Torque Farm Duty Series	
Mounting:	Rigid		
Casing Material:	Rolled Steel		

Components

Item	Model	Description	List Price
C-Face Kit			{data.c_kit_price}}
DE Endplate Kit			
NDE Endplate Kit			
Junction Box			
Cooling Fan Cover			
Cooling Fan			
Centrifugal Switch Fixed			
Centrifugal Switch Rotating			
Start Capacitor			
Run Capacitor			

