



Model Number: GX3-AL-TF-254TC-6-BR-D-7.5

MFG PN: 1862

List Price:

All data shown at HIGH voltage setting

Format: STD 3 Phase

Electrical Data				General Data			
Rated Motor Output Power	7.5	HP		Frame Size	254TC		
Rated Motor Speed	1180	r/min 60Hz		Enclosure	TEFC		
	975	r/min 50Hz		Mounting	Rigid/C-Flange		
Rated Motor Voltage (3 Phase)	230/460	V/60Hz		NEMA Design	A		
	190/380	V/50Hz		IP Rating	55		
Rated Motor Current	21.7/10.8	A (In) @ 60Hz		Insulation Class	F		
	24.9/12.5	A (In) @ 50Hz		Tropicalization	1		
FL Current @ 208V	None	A (In) @ 60Hz		Duty	Cont. / S1		
Service Factor	1.25	@ 60Hz		Cable Entry	1-NPT 1-1/4"		
	1.25	@ 50Hz		Feet Removable	1		
KVA Code	N	60Hz		Double Drilled	0		
	K	50Hz		Frame Material	Cast Aluminum		
Nominal Efficiency	91.0	% @ 60Hz		Shaft Material	1045		
	89.5	% @ 50Hz		Coating	RAL	7024	
Nominal Power Factor	0.7	cosθ @ 60Hz					
Full Load Torque Ft-Lb	S			Mechanical Data			
Load Data	Trq Ft-Lb	Trq %FL	Current Amps	Bearing DE Side	6309ZZ		
Locked Rotor				Bearing NDE Side	6209ZZ		
Breakdown	103.9862322	472.0	-	Comp Ring (wavey washer)	None		
Pull Up	17.18416549	78.0	-	Weight	223.76893	Lbs	
Load Data	RPM	Eff %	Current Amps	Moment of Inertia	None	kg.m3	
125% of FL	3510.1	91.59	20.26	Site Conditions			
75% of FL	3548.7	90.4	12.42	Temp Rise @ Full Load °C	B	@ 60Hz	
50% of FL	3566.3	92.22	8.99	Ambient Temperature °C	40		
No Load	1199.0	0	4.59	Altitude Above Sea Level (M)	1000		
Brake Torque (N-M)	100.0	Loaded Torque Curves		None			
Brake Coil Voltage	None	P1 = Output Power (KW), S = Slip (% of Sync RPM), η = Efficiency (%), cosφ = Power Factor					

CT VFD Range		
Haz Loc Rating		
Options:		
UL File Number		
CSA File Number		
DOE File Number		
CE APPROVAL		
Wiring Diagram	NEMA-3-12-DD-D	

Techtop Industries -2815 Colonnades Court - Peachtree Corners, GA 30071 - Phone: (678) 436-5540

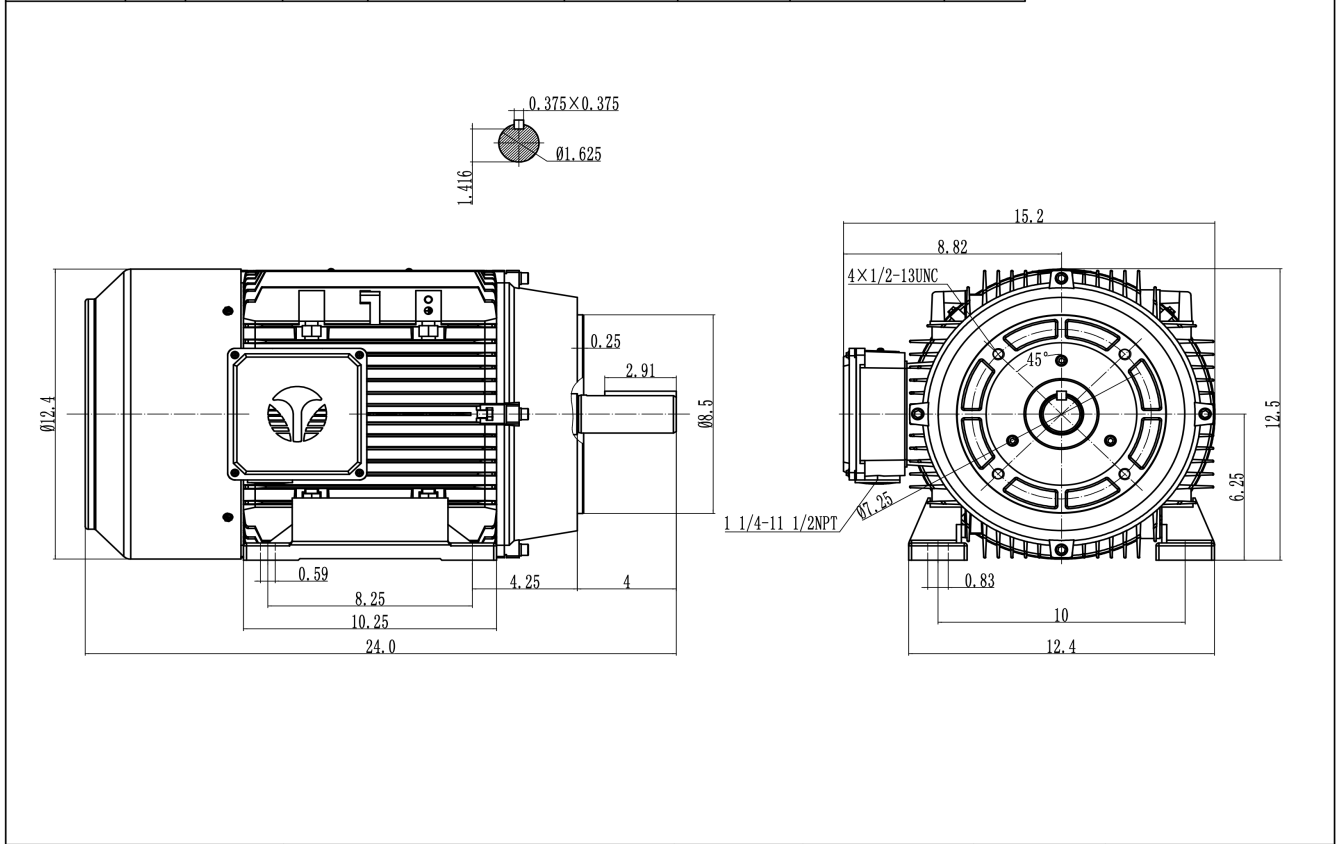


Model Number:	GX3-AL-TF-254TC-6-BR-D-7.5
MFG PN:	
List Price:	1862

Dimensional Drawing (For Reference Only)

GX3-AL-TF-254TC-2D

FRAME:	HP:	RPM:	PHASE:	VOLT:	ENCL:	FREQ:	FLA:	LRA:
--------	-----	------	--------	-------	-------	-------	------	------



TECHTOP ®	MODEL: NEMA254TC	SCALE: 1:3.5	DATE:	UNITS:
	REV.DESC:	VERSION:	REVISED:	BY: WWW.TECHTOP.COM

Components			
Item	Model	Description	List Price
C-Face Kit			
D-Flange Kit			
DE Endplate Kit			
NDE Endplate Kit			
Junction Box			
Cooling Fan Cover			
Cooling Fan			
Replacement Feet			
DE Bearing Retainer Kit			
NDE Bearing Retainer Kit			

