



<b>Model Number:</b>	GX3-AL-TF-254T-6-BR-D-7.5
<b>MFG PN:</b>	1791
<b>List Price:</b>	

All data shown at HIGH voltage setting

Format: STD 3 Phase

Electrical Data				General Data		
Rated Motor Output Power	7.5	HP		Frame Size	254T	
Rated Motor Speed	1180	r/min 60Hz		Enclosure	TEFC	
	975	r/min 50Hz		Mounting	Rigid	
Rated Motor Voltage (3 Phase)	230/460	V/60Hz		NEMA Design	A	
	190/380	V/50Hz		IP Rating	55	
Rated Motor Current	21.7/10.8	A (In) @ 60Hz		Insulation Class	F	
	24.9/12.5	A (In) @ 50Hz		Tropicalization	1	
FL Current @ 208V	None	A (In) @ 60Hz		Duty	Cont. / S1	
Service Factor	1.25	@ 60Hz		Cable Entry	1-NPT 1-1/4"	
	1.25	@ 50Hz		Feet Removable	1	
KVA Code	N	60Hz		Double Drilled	0	
	K	50Hz		Frame Material	Cast Aluminum	
Nominal Efficiency	91.0	% @ 60Hz		Shaft Material	1045	
	89.5	% @ 50Hz		Coating	RAL	7024
Nominal Power Factor	0.7	cos $\phi$ @ 60Hz				
Full Load Torque Ft-Lb	S			Mechanical Data		
Load Data	Trq Ft-Lb	Trq %FL	Current Amps	Bearing DE Side	6309ZZ	
Locked Rotor				Bearing NDE Side	6209ZZ	
Breakdown	103.9862322	472.0	-	Comp Ring (wavy washer)	NDE	
Pull Up	17.18416549	78.0	-	Weight	223.76893	Lbs
Load Data	RPM	Eff %	Current Amps	Moment of Inertia	None	kg.m3
125% of FL	3510.1	91.59	20.26	Site Conditions		
75% of FL	3548.7	90.4	12.42	Temp Rise @ Full Load °C	B	@ 60Hz
50% of FL	3566.3	92.22	8.99	Ambient Temperature °C	40	
No Load	1199.0	0	4.59	Altitude Above Sea Level (M)	1000	
Brake Torque (N-M)	100.0	<b>Loaded Torque Curves</b>		None		
Brake Coil Voltage	None	<b>P1 = Output Power (KW), S = Slip (% of Sync RPM), <math>\eta</math> = Efficiency (%), cos<math>\phi</math> = Power Factor</b>				

<b>CT VFD Range</b>		
Haz Loc Rating		
Options:		
<b>UL File Number</b>		
<b>CSA File Number</b>		
<b>DOE File Number</b>		
<b>CE APPROVAL</b>		
<b>Wiring Diagram</b>	<b>NEMA-3-12-DD-D</b>	

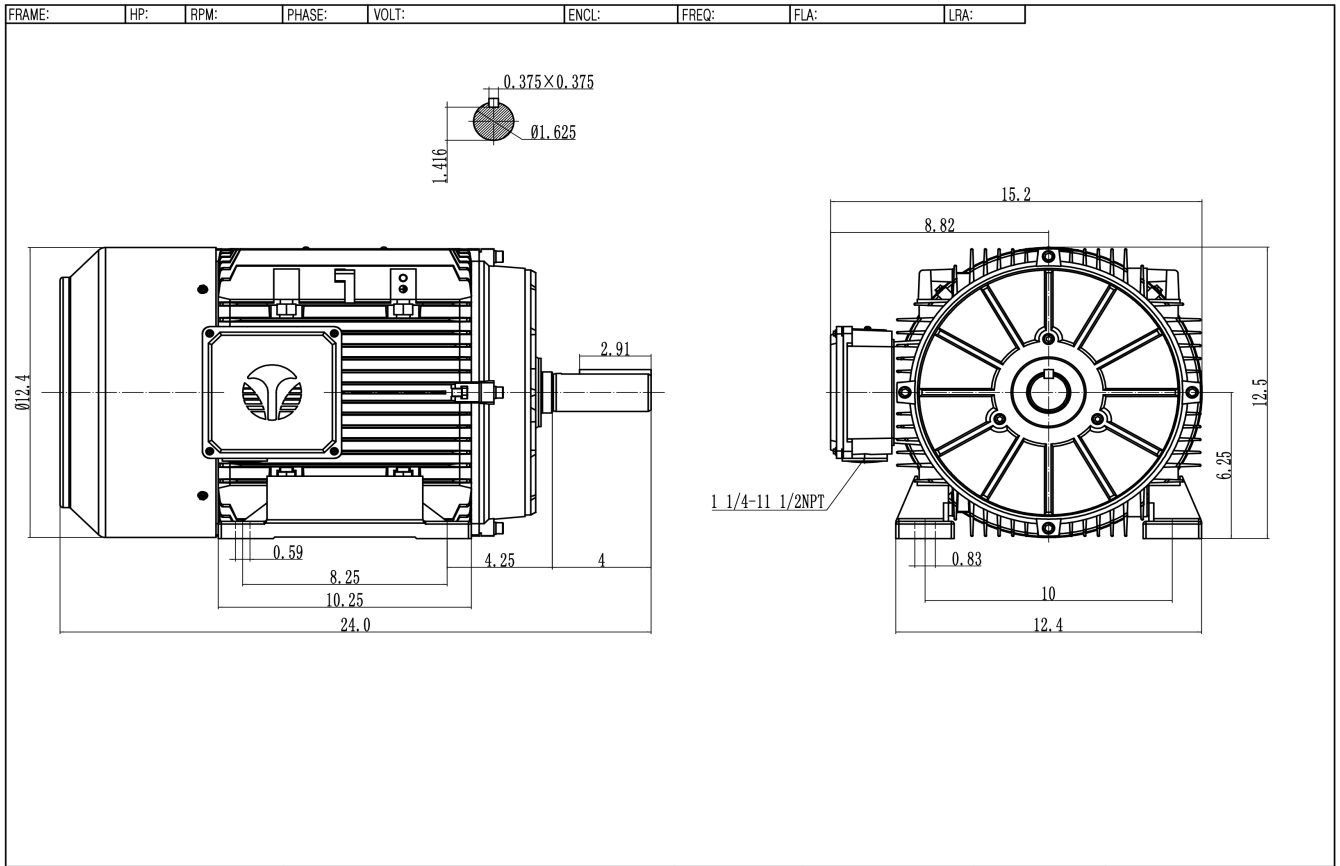
Techtop Industries -2815 Colonnades Court - Peachtree Corners, GA 30071 - Phone: (678) 436-5540



<b>Model Number:</b>	GX3-AL-TF-254T-6-BR-D-7.5
<b>MFG PN:</b>	
<b>List Price:</b>	1791

Dimensional Drawing (For Reference Only)

GX3-AL-TF-254T-2D



<b>TECHTOP</b>	MODEL: NEMA254T	SCALE: 1:3.5	DATE:	UNITS:
	REV.DESC:	VERSION:	REVISED:	BY: WWW.TECHTOP.COM

Components			
Item	Model	Description	List Price
C-Face Kit			
D-Flange Kit			
DE Endplate Kit			
NDE Endplate Kit			
Junction Box			
Cooling Fan Cover			
Cooling Fan			
Replacement Feet			
DE Bearing Retainer Kit			
NDE Bearing Retainer Kit			

