

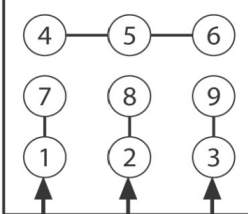
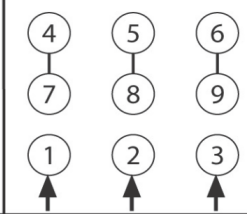


Model Number:	GR3-RS-OP-184TC-4-B-D-5
MFG PN:	700
List Price:	

All data shown at HIGH voltage setting

Format: STD 3 Phase

Electrical Data				General Data			
Rated Motor Output Power	5.0	HP		Frame Size	184TC		
Rated Motor Speed	1755	r/min 60Hz		Enclosure	ODP		
	1440	r/min 50Hz		Mounting	Rigid		
Rated Motor Voltage (3 Phase)	230/460	V/60Hz		NEMA Design	None		
	190/380	V/50Hz		IP Rating	23		
Rated Motor Current	12.5/6.25	A (In) @ 60Hz		Insulation Class	F		
	13.7/6.85	A (In) @ 50Hz		Tropicalization	1		
FL Current @ 208V	None	A (In) @ 60Hz		Duty	Cont. / S1		
Service Factor	1.25	@ 60Hz		Cable Entry	1-NPT 3/4"		
	1.25	@ 50Hz		Feet Removable	0		
KVA Code	J	60Hz		Double Drilled	0		
	G	50Hz		Frame Material	Rolled Steel		
Nominal Efficiency	89.5	% @ 60Hz		Shaft Material	None		
	90.5	% @ 50Hz		Coating	RAL	7024	
Nominal Power Factor	0.84	cos ϕ @ 60Hz					
Full Load Torque Ft-Lb	S			Mechanical Data			
Load Data	Trq Ft-Lb	Trq %FL	Current Amps	Bearing DE Side	6206ZZ		
Locked Rotor				Bearing NDE Side	6205ZZ		
Breakdown	46.66	310.0	-	Comp Ring (wavey washer)	NDE		
Pull Up	27.02	180.0	-	Weight	2288.79	Lbs	
Load Data	RPM	Eff %	Current Amps	Moment of Inertia	None	kg.m3	
125% of FL	1781.2	94.828	174.02	Site Conditions			
75% of FL	1789.8	90.83	103.68	Temp Rise @ Full Load °C	B	@ 60Hz	
50% of FL	1793.4	90.56	73.63	Ambient Temperature °C	40		
No Load	1199.0	0	4.59	Altitude Above Sea Level (M)	1000		
Brake Torque (N-M)	100.0	Loaded Torque Curves		None			
Brake Coil Voltage	None	P1 = Output Power (KW), S = Slip (% of Sync RPM), η = Efficiency (%), $\cos\phi$ = Power Factor					

CT VFD Range	
Haz Loc Rating	
Options:	
UL File Number	
CSA File Number	
DOE File Number	
CE APPROVAL	
Wiring Diagram	NEMA-3-9-YY-Y
3 Phase - YY/Y - 9 Lead	
4,1 Blue / 5,2 White / 6,3 Org / 7 Yl / 8 Blk / 9 RD	
Cast Iron- 1,2,3 Top - 4,5,6,7,8,9 Bottom	
Aluminum - 4,5,6,8,9 Top - 1,2,3,7 Bottom	
CONNECTIONS	
	
LOW VOLTAGE	HIGH VOLTAGE

Techtop Industries -2815 Colonnades Court - Peachtree Corners, GA 30071 - Phone: (678) 436-5540

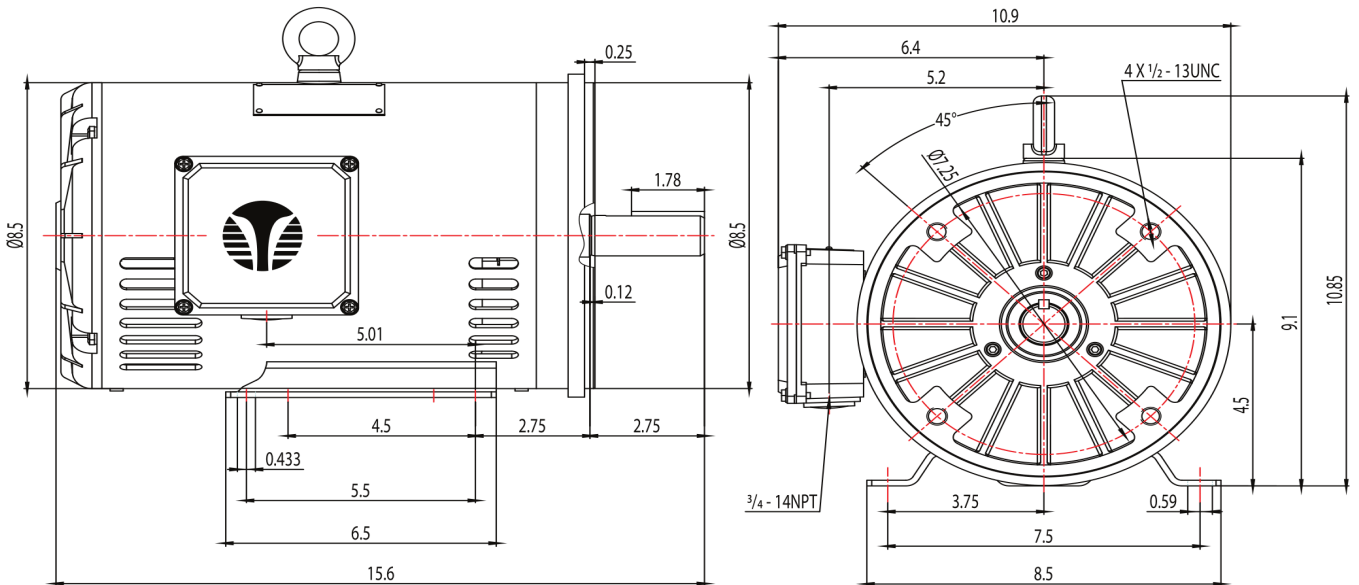


Model Number:	GR3-RS-OP-184TC-4-B-D-5
MFG PN:	
List Price:	700

Dimensional Drawing (For Reference Only)

GR3-RS-OP-184TC-4-B-D-5

FRAME: 184TC HP: RPM: PHASE: 3 VOLT: 208-230V ENCL: OPEN DRIP FREQ: 60 Hz FLA: LRA:



MODEL NUMBER:	REV.	BY	DATE	CHANGES
GR3-RS-OP-184TC-4-B-D-5	1			
MFG PN:	2			
	3			
	4			
	5			
	6			
	7			

Components

Item	Model	Description	List Price
C-Face Kit			

D-Flange Kit			
DE Endplate Kit			
NDE Endplate Kit			
Junction Box			
Cooling Fan Cover			
Cooling Fan			
Replacement Feet			
DE Bearing Retainer Kit			
NDE Bearing Retainer Kit			

Techtop Industries -2815 Colonnades Court - Peachtree Corners, GA 30071 - Phone: (678) 436-5540