

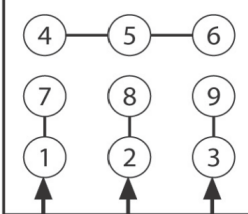
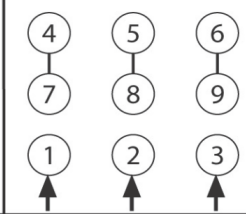


Model Number:	GR3-RS-OP-143TC-2-B-D-1
MFG PN:	407
List Price:	

All data shown at HIGH voltage setting

Format: STD 3 Phase

Electrical Data				General Data		
Rated Motor Output Power	1.0	HP		Frame Size	143TC	
Rated Motor Speed	3450	r/min 60Hz		Enclosure	ODP	
	2800	r/min 50Hz		Mounting	Rigid	
Rated Motor Voltage (3 Phase)	230/460	V/60Hz		NEMA Design	None	
	190/380	V/50Hz		IP Rating	23	
Rated Motor Current	2.96/1.48	A (In) @ 60Hz		Insulation Class	F	
	13.7/6.85	A (In) @ 50Hz		Tropicalization	1	
FL Current @ 208V	None	A (In) @ 60Hz		Duty	Cont. / S1	
Service Factor	1.25	@ 60Hz		Cable Entry	1-NPT 3/4"	
	1.25	@ 50Hz		Feet Removable	0	
KVA Code	K	60Hz		Double Drilled	1	
	G	50Hz		Frame Material	Rolled Steel	
Nominal Efficiency	81.0	% @ 60Hz		Shaft Material	None	
	90.5	% @ 50Hz		Coating	RAL	7024
Nominal Power Factor	0.78	cos ϕ @ 60Hz				
Full Load Torque Ft-Lb	S			Mechanical Data		
Load Data	Trq Ft-Lb	Trq %FL	Current Amps	Bearing DE Side	6205ZZ	
Locked Rotor				Bearing NDE Side	6203ZZ	
Breakdown	6.46	425.0	-	Comp Ring (wavey washer)	NDE	
Pull Up	4.71	310.0	-	Weight	2288.79	Lbs
Load Data	RPM	Eff %	Current Amps	Moment of Inertia	None	kg.m3
125% of FL	1781.2	94.828	174.02	Site Conditions		
75% of FL	1789.8	80.9	103.68	Temp Rise @ Full Load °C	B	@ 60Hz
50% of FL	1793.4	77.15	73.63	Ambient Temperature °C	40	
No Load	1199.0	0	4.59	Altitude Above Sea Level (M)	1000	
Brake Torque (N-M)	100.0		Loaded Torque Curves		None	
Brake Coil Voltage	None		P1 = Output Power (KW), S = Slip (% of Sync RPM), η = Efficiency (%), cos ϕ = Power Factor			

CT VFD Range	
Haz Loc Rating	
Options:	
UL File Number	
CSA File Number	
DOE File Number	
CE APPROVAL	
Wiring Diagram	NEMA-3-9-YY-Y
3 Phase - YY/Y - 9 Lead	
4,1 Blue / 5,2 White / 6,3 Org / 7 Yl / 8 Blk / 9 RD	
Cast Iron- 1,2,3 Top - 4,5,6,7,8,9 Bottom	
Aluminum - 4,5,6,8,9 Top - 1,2,3,7 Bottom	
CONNECTIONS	
	
LOW VOLTAGE	HIGH VOLTAGE

Techtop Industries -2815 Colonnades Court - Peachtree Corners, GA 30071 - Phone: (678) 436-5540

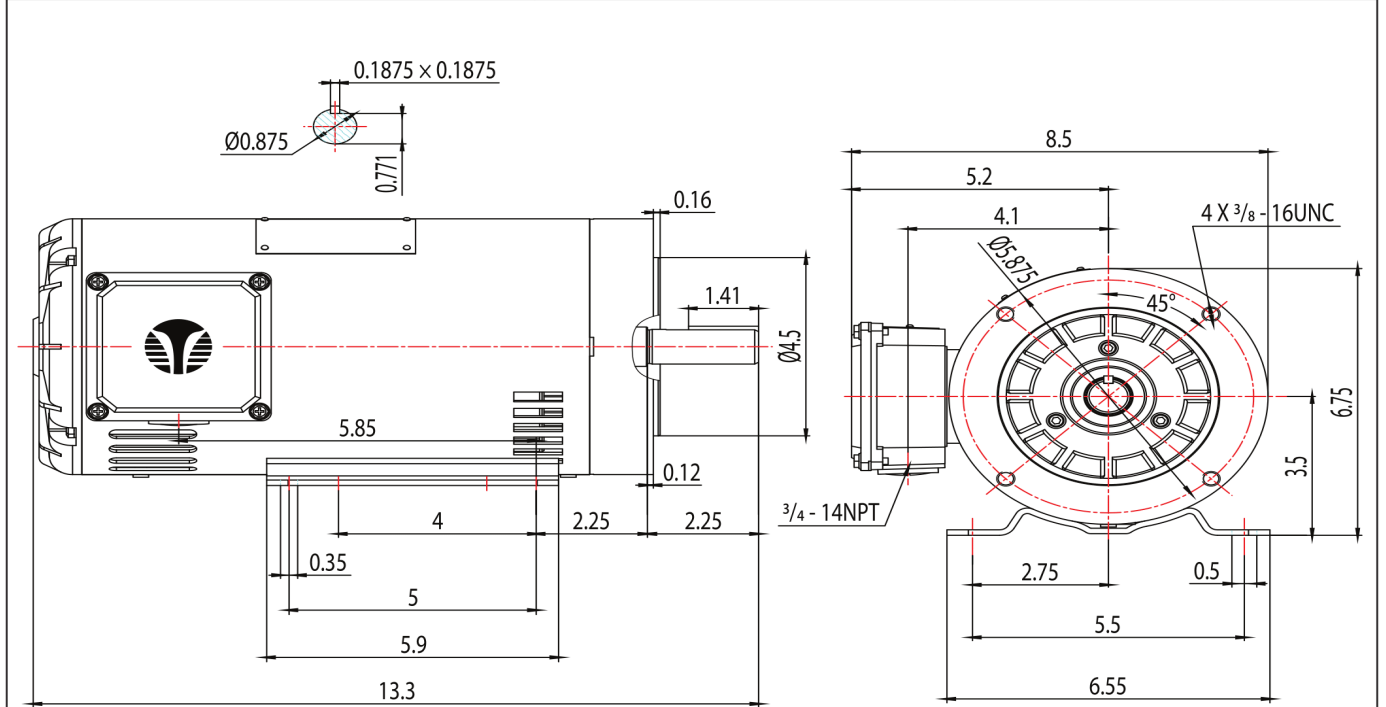


Model Number: GR3-RS-OP-143TC-2-B-D-1
MFG PN:
List Price: 407

Dimensional Drawing (For Reference Only)

GR3-RS-OP-143TC-2-B-D-1

FRAME: 143TC | HP: | RPM: | PHASE: 3 | VOLT: 208-230V | ENCL: OPEN DRIP | FREQ: 60 Hz | FLA: | LRA:



MODEL NUMBER:	REV.	BY	DATE	CHANGES
GR3-RS-OP-143TC-2-B-D-1	1			
MFG PN:	2			
	3			
	4			
	5			
	6			
	7			

Components

Item	Model	Description	List Price
C-Face Kit			

D-Flange Kit			
DE Endplate Kit			
NDE Endplate Kit			
Junction Box			
Cooling Fan Cover			
Cooling Fan			
Replacement Feet			
DE Bearing Retainer Kit			
NDE Bearing Retainer Kit			

Techtop Industries -2815 Colonnades Court - Peachtree Corners, GA 30071 - Phone: (678) 436-5540