



Model Number:	GR3-CI-TF-405T-6-RR-D-75
MFG PN:	7978
List Price:	

All data shown at HIGH voltage setting

Format: STD 3 Phase

Electrical Data				General Data			
Rated Motor Output Power	75.0	HP		Frame Size	405T		
Rated Motor Speed	1185	r/min 60Hz		Enclosure	TEFC		
	980	r/min 50Hz		Mounting	Rigid		
Rated Motor Voltage (3 Phase)	230/460	V/60Hz		NEMA Design	A		
	190/380	V/50Hz		IP Rating	55		
Rated Motor Current	172.81/86.41	A (ln) @ 60Hz		Insulation Class	F		
	208/104	A (ln) @ 50Hz		Tropicalization	1		
FL Current @ 208V	None	A (ln) @ 60Hz		Duty	Cont. / S1		
Service Factor	1.15	@ 60Hz		Cable Entry	1-NPT 3"		
	1.15	@ 50Hz		Feet Removable	0		
KVA Code	H	60Hz		Double Drilled	1		
	E	50Hz		Frame Material	Cast Iron		
Nominal Efficiency	94.5	% @ 60Hz		Shaft Material	None		
	92.5	% @ 50Hz		Coating	RAL	7024	
Nominal Power Factor	0.86	cosθ @ 60Hz					
Full Load Torque Ft-Lb	S			Mechanical Data			
Load Data	Trq Ft-Lb	Trq %FL	Current Amps	Bearing DE Side	NU316		
Locked Rotor				Bearing NDE Side	6314C3		
Breakdown	822.7336136	253.0	-	Comp Ring (wavy washer)	NDE		
Pull Up	419.4965856	129.0	-	Weight	1045.17	Lbs	
Load Data	RPM	Eff %	Current Amps	Moment of Inertia	None	kg.m3	
125% of FL	1183.7	93.74	106.15	Site Conditions			
75% of FL	1191.1	94.57	65.25	Temp Rise @ Full Load °C	B	@ 60Hz	
50% of FL	1194.2	94.05	48.23	Ambient Temperature °C	40		
No Load	1199.0	0	28.81	Altitude Above Sea Level (M)	1000		
Brake Torque (N-M)	100.0	Loaded Torque Curves		None			
Brake Coil Voltage	None	P1 = Output Power (KW), S = Slip (% of Sync RPM), η = Efficiency (%), cosφ = Power Factor					

CT VFD Range		
Haz Loc Rating		
Options:		
UL File Number		
CSA File Number		
DOE File Number		
CE APPROVAL		
Wiring Diagram	NEMA-3-12-DD-D	

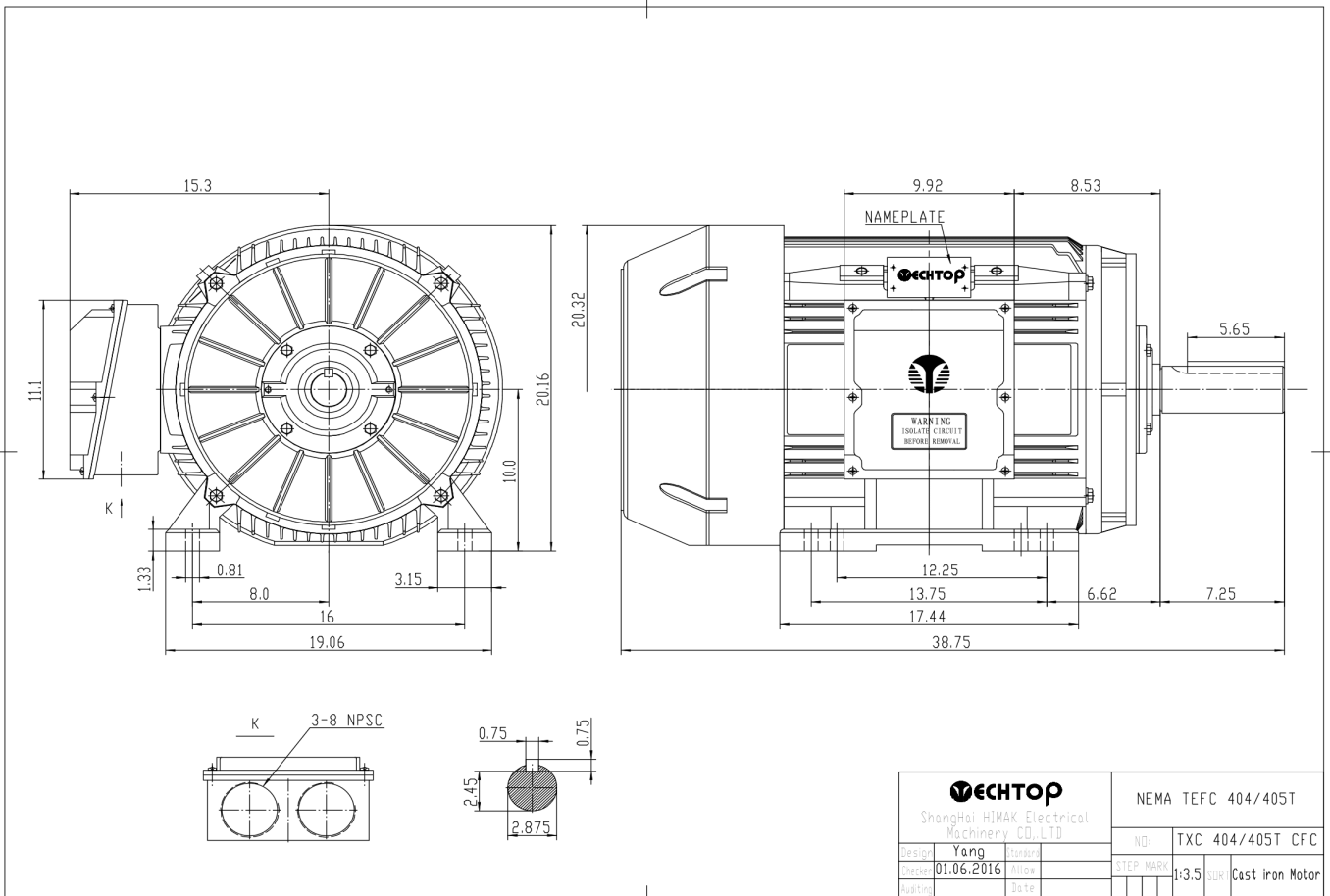
Techtop Industries -2815 Colonnades Court - Peachtree Corners, GA 30071 - Phone: (678) 436-5540



Model Number:	GR3-CI-TF-405T-6-RR-D-75
MFG PN:	
List Price:	7978

Dimensional Drawing (For Reference Only)

GR3-CI-TF-404(5)T-CFC-2D



TECHTOP Shanghai HIMAK Electrical Machinery CO., LTD			NEMA TEFC 404/405T		
Design	Yang	Drawn	NO.	TXC 404/405T CFC	
Checked	01.06.2016	Allow	STEP MARK	1:3.5	SDR
Approved		Date			Cast iron Motor

Components

Item	Model	Description	List Price
C-Face Kit			
D-Flange Kit			
DE Endplate Kit			
NDE Endplate Kit			
Junction Box			
Cooling Fan Cover			
Cooling Fan			
Replacement Feet			
DE Bearing Retainer Kit			
NDE Bearing Retainer Kit			

