



**Model Number:** GR3-CI-TF-286JM-4-BR-D-30

**MFG PN:** 3182

**List Price:**

All data shown at HIGH voltage setting

Format: STD 3 Phase

Electrical Data				General Data			
Rated Motor Output Power	30.0	HP		Frame Size	286JM		
Rated Motor Speed	1770	r/min 60Hz		Enclosure	TEFC		
	1460	r/min 50Hz		Mounting	Rigid		
Rated Motor Voltage (3 Phase)	230/460	V/60Hz		NEMA Design	A		
	190/380	V/50Hz		IP Rating	55		
Rated Motor Current	68.99/34.49	A (In) @ 60Hz		Insulation Class	F		
	84/42	A (In) @ 50Hz		Tropicalization	1		
FL Current @ 208V	None	A (In) @ 60Hz		Duty	Cont. / S1		
Service Factor	1.25	@ 60Hz		Cable Entry	1-NPT 1-1/2"		
	1.25	@ 50Hz		Feet Removable	1		
KVA Code	K	60Hz		Double Drilled	1		
	F	50Hz		Frame Material	Cast Iron		
Nominal Efficiency	93.6	% @ 60Hz		Shaft Material	None		
	90.5	% @ 50Hz		Coating	RAL	7024	
Nominal Power Factor	0.85	cosθ @ 60Hz					
Full Load Torque Ft-Lb	S			Mechanical Data			
Load Data	Trq Ft-Lb	Trq %FL	Current Amps	Bearing DE Side	6311C3		
Locked Rotor				Bearing NDE Side	6311C3		
Breakdown	323.7779825	364.0	-	Comp Ring (wavy washer)	NDE		
Pull Up	190.3529897	214.0	-	Weight	396.9	Lbs	
Load Data	RPM	Eff %	Current Amps	Moment of Inertia	None	kg.m3	
125% of FL	1768.8	93.13	42.61	Site Conditions			
75% of FL	1782.2	93.63	27.51	Temp Rise @ Full Load °C	B	@ 60Hz	
50% of FL	1788.4	92.75	21.24	Ambient Temperature °C	40		
No Load	1199.0	0	14.41	Altitude Above Sea Level (M)	1000		
Brake Torque (N-M)	100.0		Loaded Torque Curves		None		
Brake Coil Voltage	None		P1 = Output Power (KW), S = Slip (% of Sync RPM), η = Efficiency (%), cosφ = Power Factor				

<b>CT VFD Range</b>	
Haz Loc Rating	
Options:	
<b>UL File Number</b>	
<b>CSA File Number</b>	
<b>DOE File Number</b>	
<b>CE APPROVAL</b>	
<b>Wiring Diagram</b>	<b>NEMA-3-12-DD-D</b>

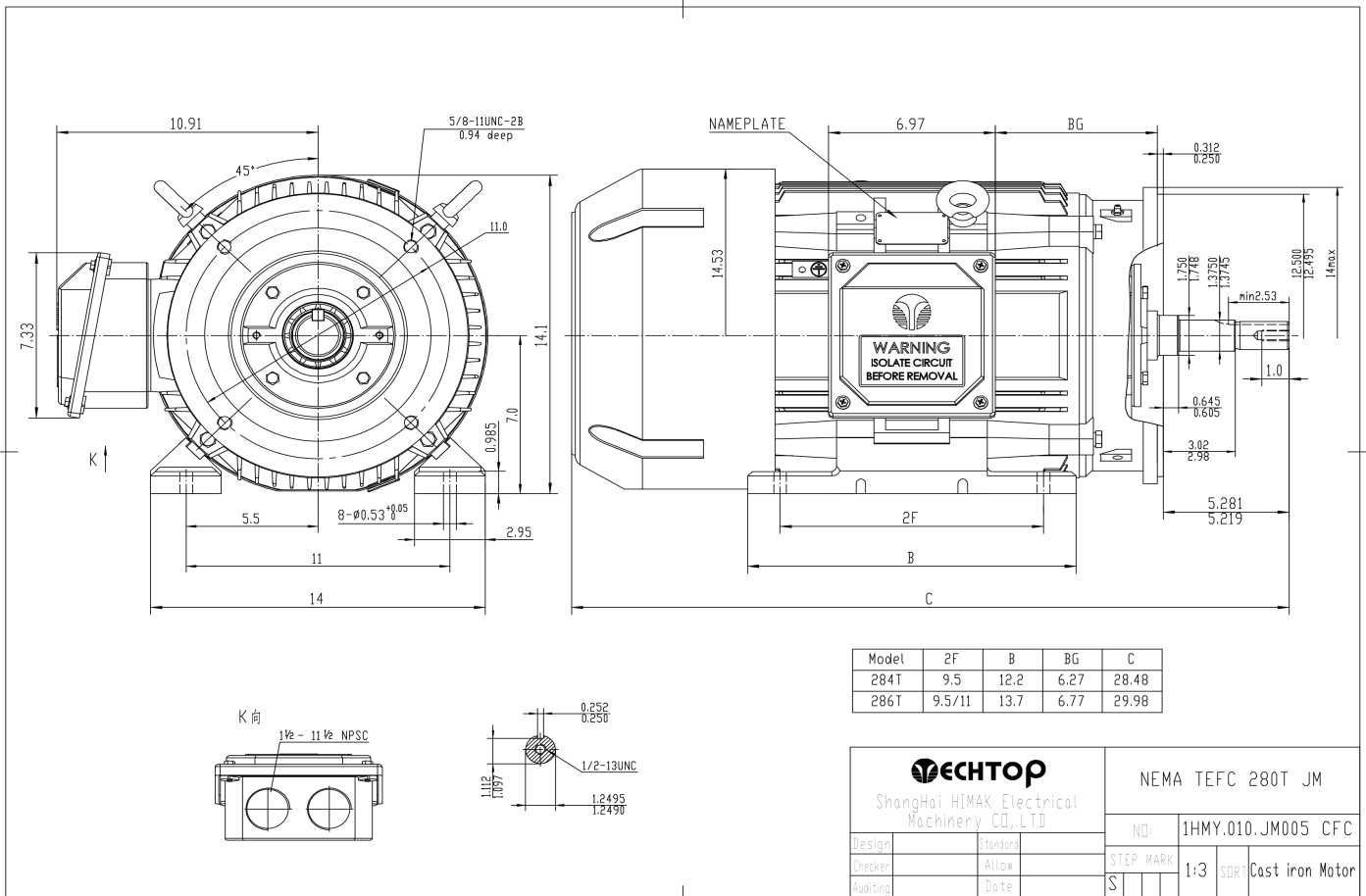
Techtop Industries -2815 Colonnades Court - Peachtree Corners, GA 30071 - Phone: (678) 436-5540



<b>Model Number:</b>	GR3-CI-TF-286JM-4-BR-D-30
<b>MFG PN:</b>	
<b>List Price:</b>	3182

Dimensional Drawing (For Reference Only)

GR3-CI-TF-286JM-CFC-2D



Components

Item	Model	Description	List Price
C-Face Kit			
D-Flange Kit			
DE Endplate Kit			
NDE Endplate Kit			
Junction Box			
Cooling Fan Cover			
Cooling Fan			
Replacement Feet			
DE Bearing Retainer Kit			
NDE Bearing Retainer Kit			

