



Model Number:	GR3-CI-TF-286JM-2-BR-D-30
MFG PN:	3199
List Price:	

All data shown at HIGH voltage setting

Format: STD 3 Phase

Electrical Data				General Data			
Rated Motor Output Power	30.0	HP		Frame Size	286JM		
Rated Motor Speed	3550	r/min 60Hz		Enclosure	TEFC		
	2930	r/min 50Hz		Mounting	Rigid		
Rated Motor Voltage (3 Phase)	230/460	V/60Hz		NEMA Design	A		
	190/380	V/50Hz		IP Rating	55		
Rated Motor Current	70.42/35.21	A (In) @ 60Hz		Insulation Class	F		
	83.8/41.9	A (In) @ 50Hz		Tropicalization	1		
FL Current @ 208V	None	A (In) @ 60Hz		Duty	Cont. / S1		
Service Factor	1.25	@ 60Hz		Cable Entry	1-NPT 1-1/2"		
	1.25	@ 50Hz		Feet Removable	1		
KVA Code	L	60Hz		Double Drilled	1		
	F	50Hz		Frame Material	Cast Iron		
Nominal Efficiency	91.7	% @ 60Hz		Shaft Material	None		
	89.0	% @ 50Hz		Coating	RAL	7024	
Nominal Power Factor	0.9	cosθ @ 60Hz					
Full Load Torque Ft-Lb	S			Mechanical Data			
Load Data	Trq Ft-Lb	Trq %FL	Current Amps	Bearing DE Side	6311C3		
Locked Rotor				Bearing NDE Side	6311C3		
Breakdown	166.7091074	372.0	-	Comp Ring (wavey washer)	NDE		
Pull Up	82.01012543	183.0	-	Weight	374.85	Lbs	
Load Data	RPM	Eff %	Current Amps	Moment of Inertia	None	kg.m3	
125% of FL	3545.9	91.92	42.59	Site Conditions			
75% of FL	3569.0	91.7	27.14	Temp Rise @ Full Load °C	B	@ 60Hz	
50% of FL	3579.5	90.04	20.37	Ambient Temperature °C	40		
No Load	1199.0	0	12.06	Altitude Above Sea Level (M)	1000		
Brake Torque (N-M)	100.0		Loaded Torque Curves		None		
Brake Coil Voltage	None		P1 = Output Power (KW), S = Slip (% of Sync RPM), η = Efficiency (%), cosφ = Power Factor				

CT VFD Range	
Haz Loc Rating	
Options:	
UL File Number	
CSA File Number	
DOE File Number	
CE APPROVAL	
Wiring Diagram	NEMA-3-12-DD-D

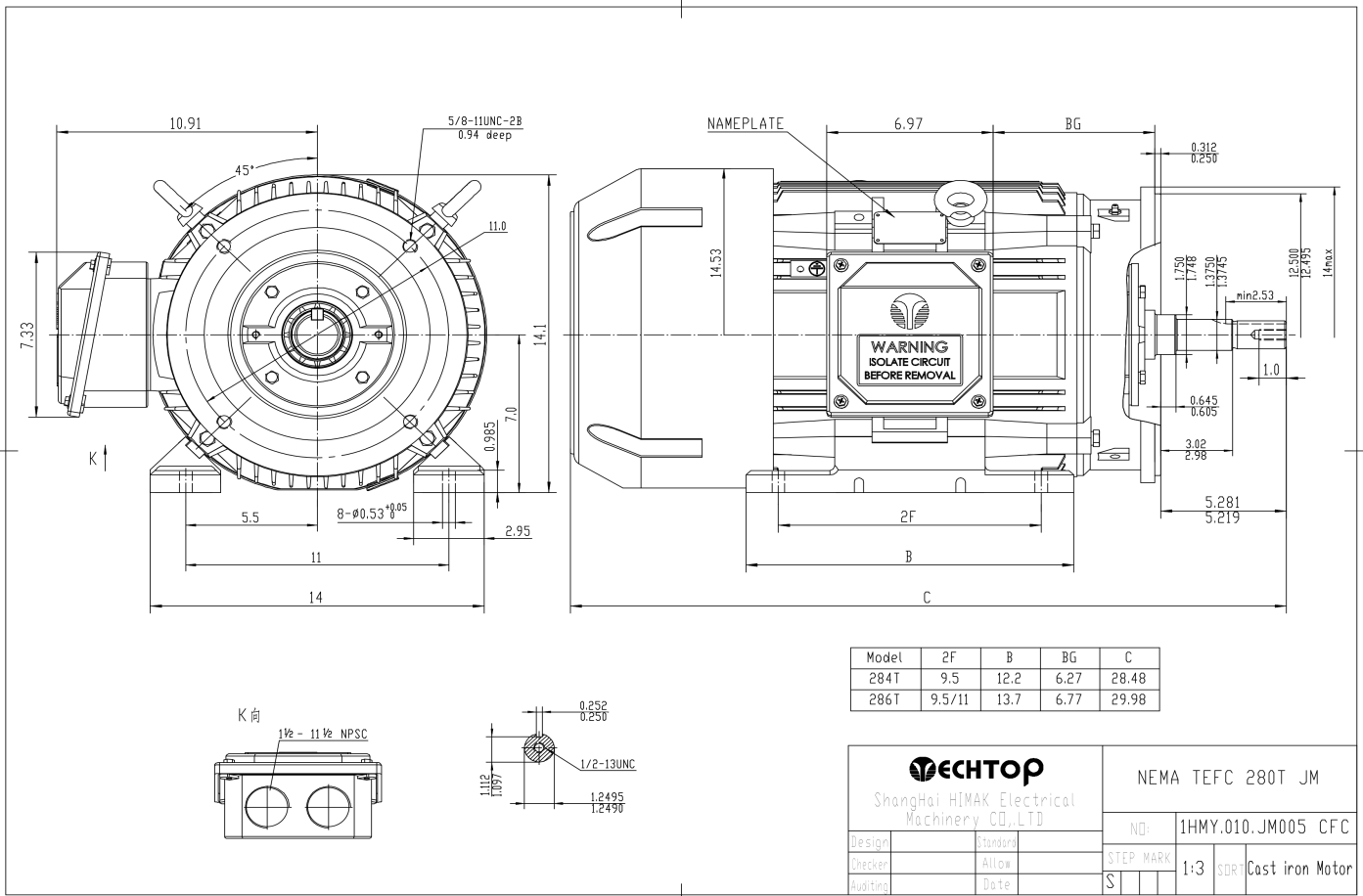
Techtop Industries -2815 Colonnades Court - Peachtree Corners, GA 30071 - Phone: (678) 436-5540



Model Number:	GR3-CI-TF-286JM-2-BR-D-30
MFG PN:	
List Price:	3199

Dimensional Drawing (For Reference Only)

GR3-CI-TF-286JM-CFC-2D



Components			
Item	Model	Description	List Price
C-Face Kit			
D-Flange Kit			
DE Endplate Kit			
NDE Endplate Kit			
Junction Box			
Cooling Fan Cover			
Cooling Fan			
Replacement Feet			
DE Bearing Retainer Kit			
NDE Bearing Retainer Kit			

TECHTOP Shanghai HIMAK Electrical Machinery CO.,LTD		NEMA TEFC 280T JM	
Design	Standard	NO:	1HMY.010.JM005 CFC
Checker	Allow	STEP MARK	1:3 SDR
Auditing	Date	S	Cast iron Motor

