



Model Number:	GR3-CI-TF-256JM-4-BR-D-20
MFG PN:	2258
List Price:	

All data shown at HIGH voltage setting Format: STD 3 Phase

Electrical Data				General Data			
Rated Motor Output Power	20.0	HP		Frame Size	256JM		
Rated Motor Speed	1760	r/min 60Hz		Enclosure	TEFC		
	1450	r/min 50Hz		Mounting	Rigid		
Rated Motor Voltage (3 Phase)	230/460	V/60Hz		NEMA Design	A		
	190/380	V/50Hz		IP Rating	55		
Rated Motor Current	45.76/22.88	A (In) @ 60Hz		Insulation Class	F		
	58/29	A (In) @ 50Hz		Tropicalization	1		
FL Current @ 208V	None	A (In) @ 60Hz		Duty	Cont. / S1		
Service Factor	1.25	@ 60Hz		Cable Entry	1-NPT 1-1/4"		
	1.25	@ 50Hz		Feet Removable	1		
KVA Code	K	60Hz		Double Drilled	1		
	F	50Hz		Frame Material	Cast Iron		
Nominal Efficiency	93.0	% @ 60Hz		Shaft Material	None		
	88.0	% @ 50Hz		Coating	RAL	7024	
Nominal Power Factor	0.83	cos $\phi$ @ 60Hz					
Full Load Torque Ft-Lb	S			Mechanical Data			
Load Data	Trq Ft-Lb	Trq %FL	Current Amps	Bearing DE Side	6309C3		
Locked Rotor				Bearing NDE Side	6309C3		
Breakdown	209.8264006	352.0	-	Comp Ring (wavey washer)	NDE		
Pull Up	122.7961322	206.0	-	Weight	330.75	Lbs	
Load Data	RPM	Eff %	Current Amps	Moment of Inertia	None	kg.m3	
125% of FL	1763.5	91.95	28.86	Site Conditions			
75% of FL	1779.4	92.77	18.28	Temp Rise @ Full Load °C	B	@ 60Hz	
50% of FL	1786.6	91.95	13.84	Ambient Temperature °C	40		
No Load	1199.0	0	8.72	Altitude Above Sea Level (M)	1000		
Brake Torque (N-M)	100.0	Loaded Torque Curves		None			
Brake Coil Voltage	None	P1 = Output Power (KW), S = Slip (% of Sync RPM), $\eta$ = Efficiency (%), $\cos\phi$ = Power Factor					

<b>CT VFD Range</b>	
Haz Loc Rating	
Options:	
<b>UL File Number</b>	
<b>CSA File Number</b>	
<b>DOE File Number</b>	
<b>CE APPROVAL</b>	
<b>Wiring Diagram</b>	<b>NEMA-3-12-DD-D</b>

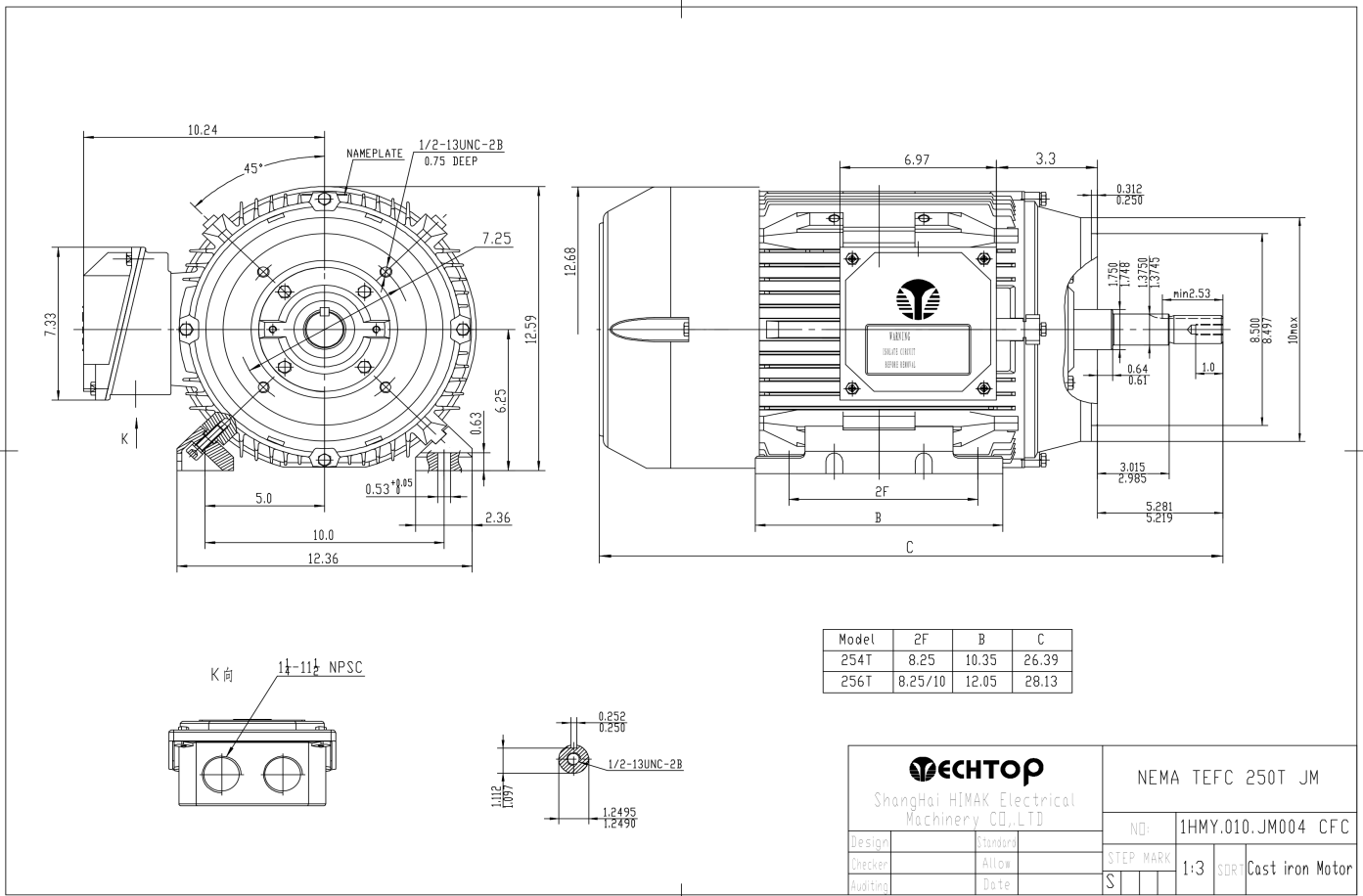
Techtop Industries -2815 Colonnades Court - Peachtree Corners, GA 30071 - Phone: (678) 436-5540



<b>Model Number:</b>	GR3-CI-TF-256JM-4-BR-D-20
<b>MFG PN:</b>	
<b>List Price:</b>	2258

Dimensional Drawing (For Reference Only)

GR3-CI-TF-256JM-CFC-2D



Components

Item	Model	Description	List Price
C-Face Kit			
D-Flange Kit			
DE Endplate Kit			
NDE Endplate Kit			
Junction Box			
Cooling Fan Cover			
Cooling Fan			
Replacement Feet			
DE Bearing Retainer Kit			
NDE Bearing Retainer Kit			

