



Model Number:	GR3-CI-TF-200LB3-4-BR-D-40
MFG PN:	4688
List Price:	

All data shown at HIGH voltage setting

Format: STD 3 Phase

Electrical Data				General Data			
Rated Motor Output Power	40.0	HP		Frame Size	200L		
Rated Motor Speed	1770	r/min 60Hz		Enclosure	TEFC		
	1460	r/min 50Hz		Mounting	B3		
Rated Motor Voltage (3 Phase)	230/460	V/60Hz		NEMA Design	A		
	190/380	V/50Hz		IP Rating	55		
Rated Motor Current	94.2/47.1	A (In) @ 60Hz		Insulation Class	F		
	110.0/55.0	A (In) @ 50Hz		Tropicalization	1		
FL Current @ 208V	None	A (In) @ 60Hz		Duty	Cont. / S1		
Service Factor	1.15	@ 60Hz		Cable Entry	2-M40X1.5		
	1.15	@ 50Hz		Feet Removable	1		
KVA Code	J	60Hz		Double Drilled	0		
	F	50Hz		Frame Material	Cast Iron		
Nominal Efficiency	94.1	% @ 60Hz		Shaft Material	None		
	90.0	% @ 50Hz		Coating	RAL	7024	
Nominal Power Factor	0.86	cosθ @ 60Hz					
Full Load Torque Ft-Lb	S			Mechanical Data			
Load Data	Trq Ft-Lb	Trq %FL	Current Amps	Bearing DE Side	6312C3		
Locked Rotor				Bearing NDE Side	6312C3		
Breakdown	400.7838963	295.0	-	Comp Ring (wavey washer)	DE		
Pull Up	249.9804641	184.0	-	Weight	584.0	Lbs	
Load Data	RPM	Eff %	Current Amps	Moment of Inertia	None	kg.m3	
125% of FL	1773.8	92.81	66.72	Site Conditions			
75% of FL	1785.3	93.77	42.04	Temp Rise @ Full Load °C	B	@ 60Hz	
50% of FL	1790.4	93.22	31.86	Ambient Temperature °C	40		
No Load	1199.0	0	20.61	Altitude Above Sea Level (M)	1000		
Brake Torque (N-M)	100.0		Loaded Torque Curves		None		
Brake Coil Voltage	None		P1 = Output Power (KW), S = Slip (% of Sync RPM), η = Efficiency (%), cosφ = Power Factor				

CT VFD Range		
Haz Loc Rating		
Options:		
UL File Number		
CSA File Number		
DOE File Number		
CE APPROVAL		
Wiring Diagram	IEC-3-12-DD-D	

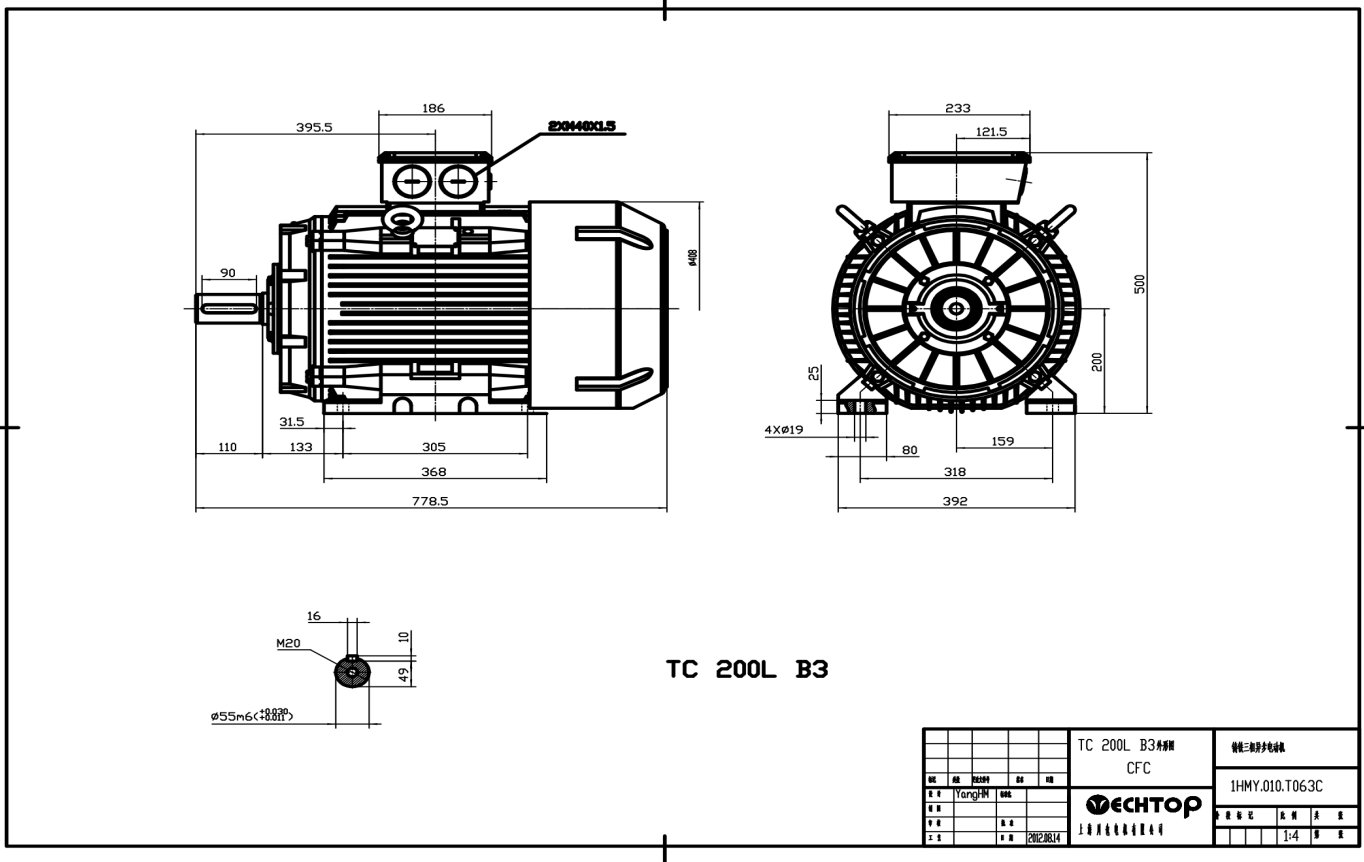
Techtop Industries -2815 Colonnades Court - Peachtree Corners, GA 30071 - Phone: (678) 436-5540



Model Number:	GR3-CI-TF-200LB3-4-BR-D-40
MFG PN:	
List Price:	4688

Dimensional Drawing (For Reference Only)

GR3-CI-TF-200LB3-CFC



Components

Item	Model	Description	List Price
C-Face Kit			
D-Flange Kit			
DE Endplate Kit			
NDE Endplate Kit			
Junction Box			
Cooling Fan Cover			
Cooling Fan			
Replacement Feet			
DE Bearing Retainer Kit			
NDE Bearing Retainer Kit			

