



Model Number: GR3-CI-TF-160MB35-2-BR-D-20

MFG PN: 3119

List Price:

All data shown at HIGH voltage setting

Format: STD 3 Phase

Electrical Data				General Data			
Rated Motor Output Power	20.0	HP		Frame Size	160MB35		
Rated Motor Speed	3530	r/min 60Hz		Enclosure	TEFC		
	2920	r/min 50Hz		Mounting	B35		
Rated Motor Voltage (3 Phase)	230/460	V/60Hz		NEMA Design	A		
	190/380	V/50Hz		IP Rating	55		
Rated Motor Current	46.4/23.2	A (In) @ 60Hz		Insulation Class	F		
	58.8/29.4	A (In) @ 50Hz		Tropicalization	1		
FL Current @ 208V	None	A (In) @ 60Hz		Duty	Cont. / S1		
Service Factor	1.15	@ 60Hz		Cable Entry	2-M32X1.5		
	1.15	@ 50Hz		Feet Removable	1		
KVA Code	H	60Hz		Double Drilled	0		
	F	50Hz		Frame Material	Cast Iron		
Nominal Efficiency	91.0	% @ 60Hz		Shaft Material	None		
	90.0	% @ 50Hz		Coating	RAL	7024	
Nominal Power Factor	0.89	cosθ @ 60Hz					
Full Load Torque Ft-Lb	S			Mechanical Data			
Load Data	Trq Ft-Lb	Trq %FL	Current Amps	Bearing DE Side	6309C3		
Locked Rotor				Bearing NDE Side	6309C3		
Breakdown	130.1384896	441.0	-	Comp Ring (wavey washer)	None		
Pull Up	61.67561073	209.0	-	Weight	295.0	Lbs	
Load Data	RPM	Eff %	Current Amps	Moment of Inertia	None	kg.m3	
125% of FL	3560.6	91.45	29.22	Site Conditions			
75% of FL	3577.3	90.59	19.36	Temp Rise @ Full Load °C	B	@ 60Hz	
50% of FL	3585.0	88.28	15.25	Ambient Temperature °C	40		
No Load	1199.0	0	10.57	Altitude Above Sea Level (M)	1000		
Brake Torque (N-M)	100.0		Loaded Torque Curves		None		
Brake Coil Voltage	None		P1 = Output Power (KW), S = Slip (% of Sync RPM), η = Efficiency (%), cosφ = Power Factor				

<b>CT VFD Range</b>		
Haz Loc Rating		
Options:		
<b>UL File Number</b>		
<b>CSA File Number</b>		
<b>DOE File Number</b>		
<b>CE APPROVAL</b>		
<b>Wiring Diagram</b>	<b>IEC-3-12-DD-D</b>	

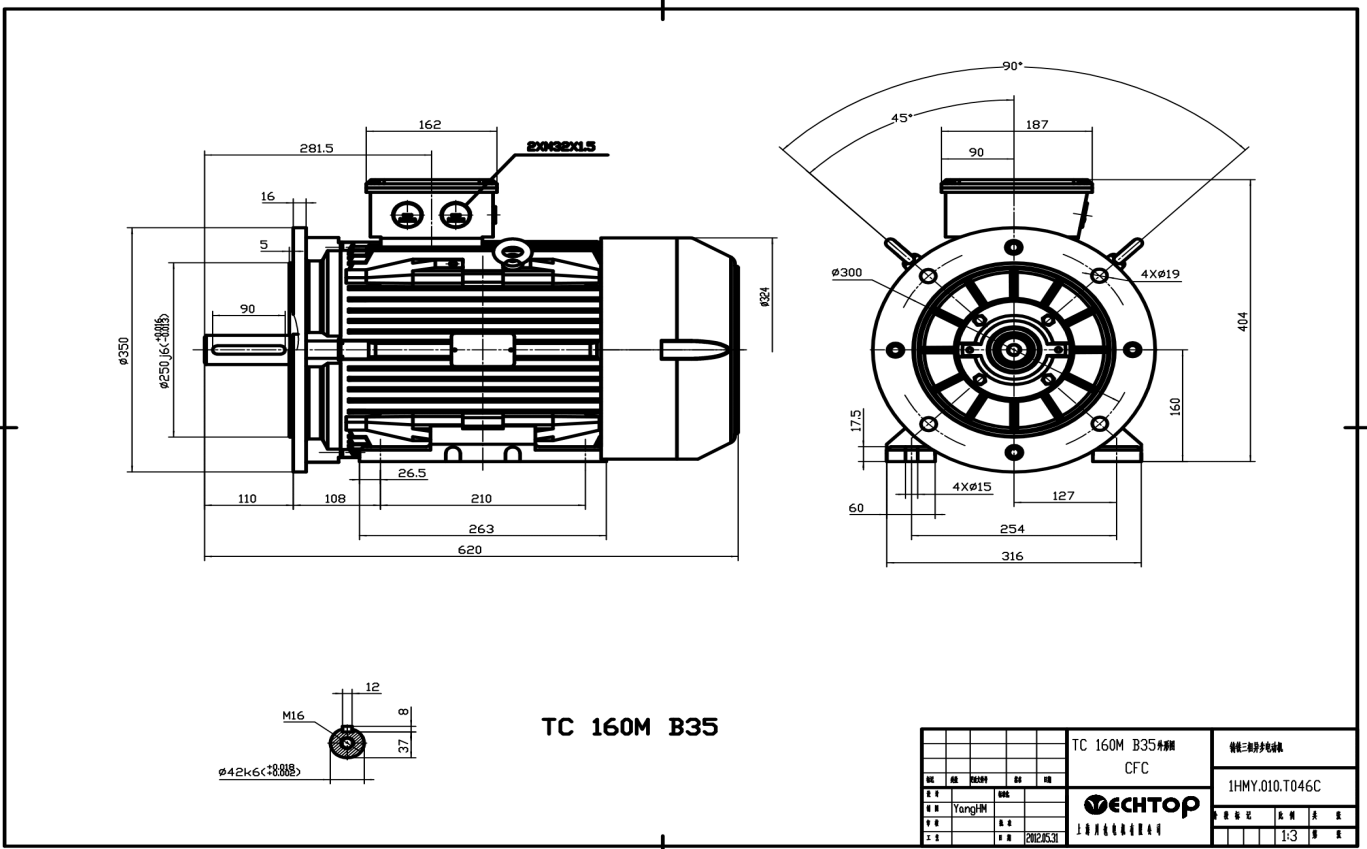
Techtop Industries -2815 Colonnades Court - Peachtree Corners, GA 30071 - Phone: (678) 436-5540



<b>Model Number:</b>	GR3-CI-TF-160MB35-2-BR-D-20
<b>MFG PN:</b>	
<b>List Price:</b>	3119

Dimensional Drawing (For Reference Only)

GR3-CI-TF-160MB35-CFC



				TC 160M B35 三相	三相异步电动机
				CFC	
				<b>TECHTOP</b>	1HMY.010.T046C
				2012.05.31	13

**Components**

Item	Model	Description	List Price
C-Face Kit			
D-Flange Kit			
DE Endplate Kit			
NDE Endplate Kit			
Junction Box			
Cooling Fan Cover			
Cooling Fan			
Replacement Feet			
DE Bearing Retainer Kit			
NDE Bearing Retainer Kit			

