



<b>Model Number:</b>	DC3-180-145-FC
<b>MFG PN:</b>	1373
<b>List Price:</b>	

All data shown at HIGH voltage setting

Format: STD 3 Phase

Electrical Data				General Data			
Rated Motor Output Power	3.0	HP		Frame Size	145TC		
Rated Motor Speed	1750	r/min 60Hz		Enclosure	TEFC		
	985	r/min 50Hz		Mounting	None		
Rated Motor Voltage (3 Phase)	180	V/60Hz		NEMA Design	None		
	None	V/50Hz		IP Rating	54		
Rated Motor Current	14.7	A (In) @ 60Hz		Insulation Class	F		
	281	A (In) @ 50Hz		Tropicalization	1		
FL Current @ 208V	None	A (In) @ 60Hz		Duty	Cont.		
Service Factor	1.0	@ 60Hz		Cable Entry	None		
	1.0	@ 50Hz		Feet Removable	0		
KVA Code	None	60Hz		Double Drilled	0		
	None	50Hz		Frame Material	Rolled		
Nominal Efficiency	None	% @ 60Hz		Shaft Material	None		
	94.0	% @ 50Hz		Coating	RAL	7024	
Nominal Power Factor	None	cosθ @ 60Hz					
Full Load Torque Ft-Lb	S			Mechanical Data			
Load Data	Trq Ft-Lb	Trq %FL	Current Amps	Bearing DE Side	None		
Locked Rotor				Bearing NDE Side	None		
Breakdown	11.8503	399.0	-	Comp Ring (wavy washer)	None		
Pull Up	7.9299	267.0	-	Weight	70.0	Lbs	
Load Data	RPM	Eff %	Current Amps	Moment of Inertia	None	kg.m3	
125% of FL	1749.7	85.789	1.7725	Site Conditions			
75% of FL	1771.4	84.575	1.3287	Temp Rise @ Full Load °C	B	@ 60Hz	
50% of FL	1781.1	81.034	1.1726	Ambient Temperature °C	40		
No Load	1199.0	0	1.03	Altitude Above Sea Level (M)	1000		
Brake Torque (N-M)	100.0		Loaded Torque Curves		None		
Brake Coil Voltage	None		P1 = Output Power (KW), S = Slip (% of Sync RPM), η = Efficiency (%), cosφ = Power Factor				

<b>CT VFD Range</b>		
Haz Loc Rating		
Options:		
<b>UL File Number</b>		
<b>CSA File Number</b>		
<b>DOE File Number</b>		
<b>CE APPROVAL</b>		
<b>Wiring Diagram</b>	<b>None</b>	

Techtop Industries -2815 Colonnades Court - Peachtree Corners, GA 30071 - Phone: (678) 436-5540

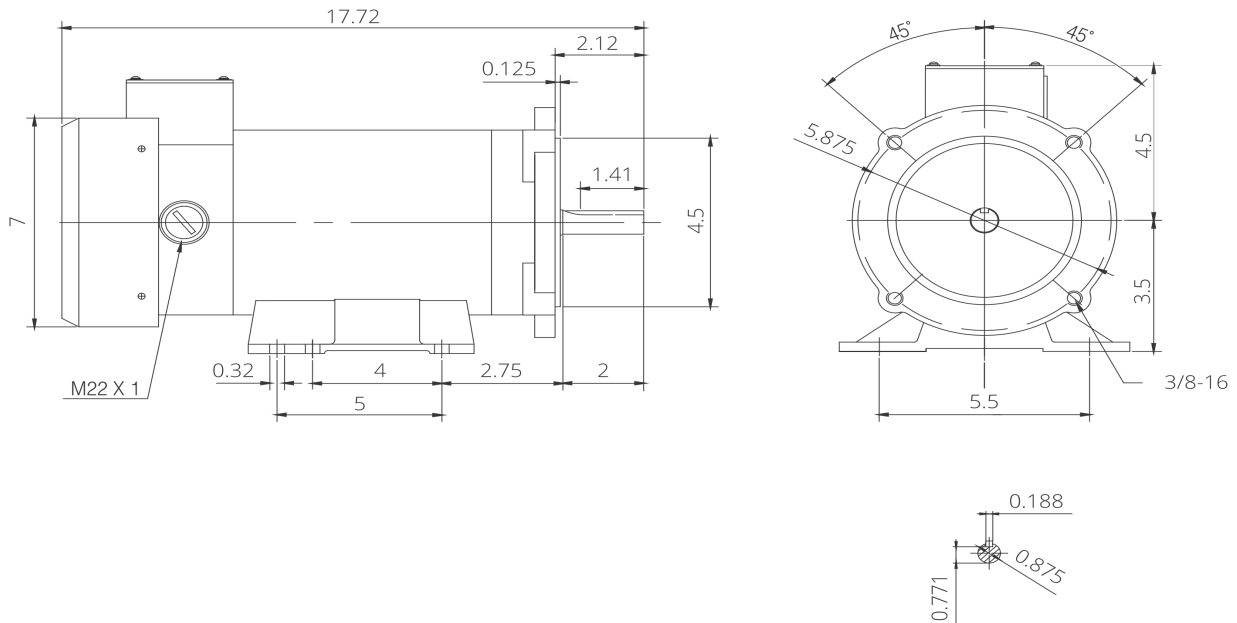


<b>Model Number:</b>	DC3-180-145-FC
<b>MFG PN:</b>	
<b>List Price:</b>	1373

Dimensional Drawing (For Reference Only)

DC3-180-145-FC\_2018

FRAME: 145TC | HP: 3 | RPM: 1800 | VOLTAGE TYPE: DC | DC VOLTAGE: 180V | ENCLOSURE: TEFC | FLA: 17 | WEIGHT: 70 lbs.



	MODEL NUMBER:	DC3-180-145-FC	REV	BY	DATE	CHANGES
	MFG PN:		1			
	MATERIAL: ROLLED STEEL		2			
	UNITS: INCH	BY: ARE	3			
	DATE: 4/12/2018		4			
	WWW.TECHTOP.COM		5			
			6			
		7				

Components

Item	Model	Description	List Price
C-Face Kit			
D-Flange Kit			
DE Endplate Kit			
NDE Endplate Kit			
Junction Box			
Cooling Fan Cover			
Cooling Fan			
Replacement Feet			
DE Bearing Retainer Kit			
NDE Bearing Retainer Kit			

