



Model Number:

DC13-90-56-NV

MFG PN:

332

List Price:

All data shown at HIGH voltage setting

Format:STD 1 Phase

Electrical Data				General Data			
Rated Motor Output Power	0.33	HP		Frame Size	56C		
Rated Motor Speed	1750	r/min 60Hz		Enclosure	TENV		
Rated Motor Voltage (1 Phase)	90	V/60Hz		Mounting	None		
Rated Motor Current	3.5	A (In) @ 60Hz		NEMA Design	None		
FL Current @ 208V	None	A (In) @ 60Hz		IP Rating	55		
Service Factor	1.0	@ 60Hz		Insulation Class	F		
KVA Code	None	60Hz		Tropicalization	True		
Nominal Efficiency	None	% @ 60Hz		Duty	Cont.		
Nominal Power Factor	None	cosθ @ 60Hz		Cable Entry	None		
Brake Torque (N-M)	100.0			Feet Removable	0		
Brake Coil Voltage	None			Double Drilled	0		
Capacitors	mF	Voltage	QTY	Frame Material	Rolled		
Start	None	None	DB	Shaft Material	None		
Run	None	None	DF	Coating	RAL	7024	
Centrifugal Switch Type:							
Full Load Torque Ft-Lb	2.97			Mechanical Data			
Load Data	Trq Ft-Lb	Trq %FL	Current Amps	Bearing DE Side	None		
Locked Rotor				Bearing NDE Side	None		
Breakdown	11.8503	399.0	-	Comp Ring (wavey washer)	None		
Pull Up	7.9299	267.0	-	Weight	23.0	Lbs	
Load Data	RPM	Eff %	Current Amps	Moment of Inertia	None	kg.m3	
125% of FL	1749.7	85.789	1.7725	Site Conditions			
75% of FL	1771.4	84.575	1.3287	Temp Rise @ Full Load °C	AM	@ 60Hz	
50% of FL	1781.1	81.034	1.1726	Ambient Temperature °C	40		
No Load	1199.0	0	1.03	Altitude Above Sea Level (M)	1000		
Options				Loaded Torque Curves	None		
UL File Number				P1 = Output Power (KW), S = Slip (% of Sync RPM), η = Efficiency (%), cosφ = Power Factor			
CSA File Number							
DOE File Number							
CE APPROVAL							
Wiring Diagram	None						

Techtop Industries -2815 Colonnades Court - Peachtree Corners, GA 30071 - Phone: (678) 436-5540



Model Number: DC13-90-56-NV

MFG PN:

List Price:

332

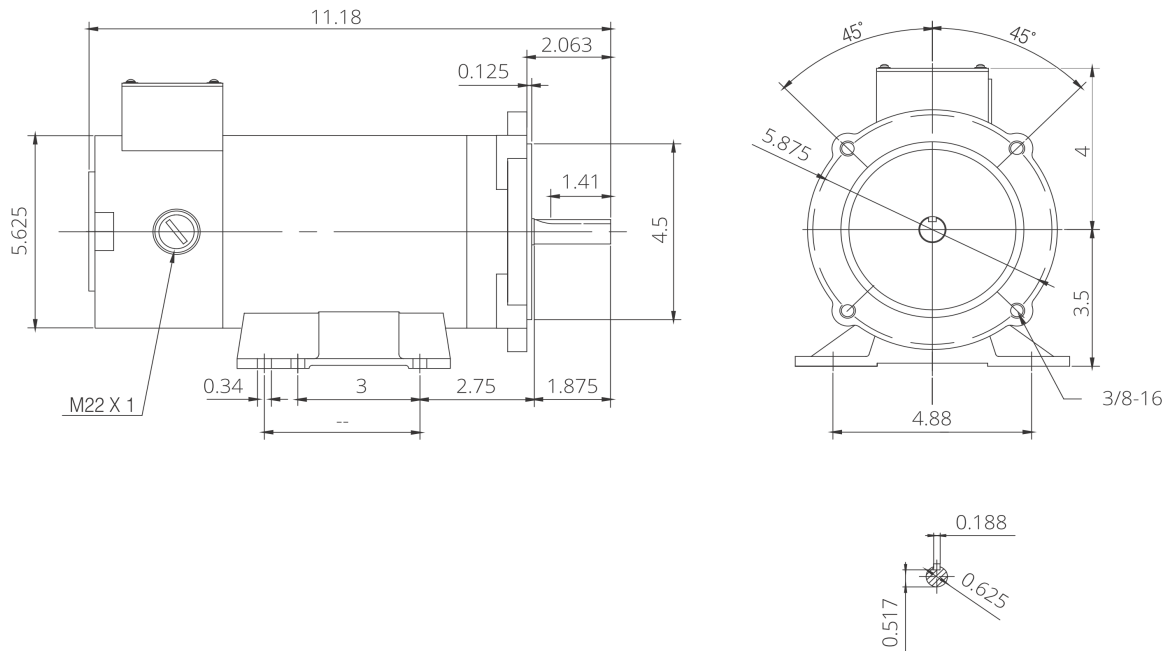
Configuration Schematic:

F1 TEFC

Dimensional Drawing (For Reference Only)

DC13-90-56-NV_2018

FRAME: 56C | HP: 1/3 | RPM: 1800 | VOLTAGE TYPE: DC | DC VOLTAGE: 90V | ENCLOSURE: TENV | FLA: 3.6 | WEIGHT: 23 lbs.



MODEL NUMBER:
DC13-90-56-NV

MFG PN:

REV	BY	DATE
1		
2		
3		
4		
5		
6		
7		

CHANGES

MATERIAL: ROLLED STEEL
UNITS: INCH BY: ARE
DATE: 4/12/2018
WWW.TECHTOP.COM

Components

Item	Model	Description	List Price
C-Face Kit			{data.c_kit_price}}
DE Endplate Kit			
NDE Endplate Kit			
Junction Box			
Cooling Fan Cover			
Cooling Fan			
Centrifugal Switch Fixed			
Centrifugal Switch Rotating			
Start Capacitor			
Run Capacitor			

